

Material Handling Machine

LH 60 Port

Litronic®



Generation

6

Operating Weight

132,100 – 170,400 lb*

Engine

255 HP (l)/190 kW

Stage Tier 4f

System Performance

322 kW

* Without attachment

LIEBHERR

Technical Data



Diesel Engine

Rating per SAE J1349/ISO 9249	255 HP (l) (190 kW) at 1,800 rpm
Model	Liebherr D944
Type	4 cylinder in-line
Bore/Stroke	5.1/5.9 in
Displacement	488 in ³
Engine operation	4-stroke diesel Common-Rail turbo-charged and after-cooled reduced emissions
Air cleaner	dry-type air cleaner with pre-cleaner, primary and safety elements
Engine idling	sensor controlled
Electrical system	
Voltage	24 V
Batteries	2 x 180 Ah/12 V
Alternator	three-phase current 28 V/140 A
Stage Tier 4f	
Harmful emissions values	in accordance with EPA/CARB-40CFR stage Tier 4f
Emission control	Liebherr-SCR technology
Fuel tank	137 gal
Urea tank	17 gal



Cooling System

Diesel engine	water-cooled compact cooling system consisting cooling unit for water, hydraulic oil and charge air with step-less thermostatically controlled fan
----------------------	---



Hydraulic Controls

Power distribution	via control valves with integrated safety valves, simultaneous actuation of chassis and equipment. Swing drive in separate closed circuit
Servo circuit	
Equipment and swing	with electro-hydraulic pilot control and proportional joystick levers
Chassis	
Mobile	electroproportional via foot pedal
Crawler	with electric proportionally functioning foot pedals or adjusted with plugable levers
Additional functions	via switch or electroproportional foot pedals
Proportional control	proportionally acting transmitters on the joysticks for additional hydraulic functions



Hydraulic System

Hydraulic pump	for equipment and travel drive	2 Liebherr axial piston variable displacement pumps (double construction)
Max. flow		2 x 80 gpm
Max. pressure		5,076 psi
for swing drive		reversible axial piston variable displacement pump, closed-loop circuit
Max. flow		53 gal
Max. pressure		5,366 psi
Hydraulic pump regulation and control		2 circuit Liebherr-Synchron-Comfort-system (LSC) with electronic engine speed sensing regulation, pressure and flow compensation, automatic oil flow optimizer
Hydraulic tank		70 gal
Hydraulic system		235 gal
Hydraulic oil filter		2 main return filters with integrated partial micro filtration (5 µm)
MODE selection		adjustment of engine and hydraulic performance via a mode pre-selector to match application, e.g. for especially economical and environmentally friendly operation or for maximum material handling and heavy-duty jobs
S (Sensitive)		mode for precision work and lifting through very sensitive movements
E (Eco)		mode for especially economical and environmentally friendly operation
P (Power)		mode for high performance with low fuel consumption
P+ (Power-Plus)		mode for highest performance and for very heavy duty applications, suitable for continuous operation
Engine speed and performance setting		stepless alignment of engine output and hydraulic power via engine speed
Option		Tool Control: 20 preadjustable pump flows and pressures for add-on attachments



Swing Drive

Drive	Liebherr axial piston motor in a closed system, Liebherr planetary reduction gear
Swing ring	Liebherr, sealed race ball bearing swing ring, internal teeth
Swing speed	0 – 6.5 rpm stepless
Swing torque	87,032 lbf ft
Holding brake	wet multi-disc (spring applied, pressure released)
Option	slewing gear brake Comfort



Operator's Cab

Cab	safety cab structure with individual windscreens or featuring a slide-in subpart under the ceiling, work headlights integrated in the ceiling, a door with a sliding window (can be opened on both sides), large stowing and depositing possibilities, shock-absorbing suspension, sounddampening insulating, tinted laminated safety glass, separate shades for the sunroof window and windscreen
High Rise	deviating from standard: safety cab structure with fixed built-in front and roof window made from impact-resistant laminated safety glass
Operator's seat Comfort	air cushioned operator's seat with 3D-adjustable armrests, headrest, lap belt, seat heater, adjustable seat cushion inclination and length, lockable horizontal suspension, automatic weight adjustment, adjustable suspension stiffness, pneumatic lumbar vertebrae support and passive seat climatization with active coal
Operator's seat Premium (Option)	in addition to operator's seat comfort: active electronic weight adjustment (automatic re-adjustment), pneumatic low frequency suspension and active seat climatization with active coal and ventilator
Control system	joysticks with control consoles and swivel seat, folding left control console
Operation and displays	large high-resolution operating unit, self-explanatory, color display with touchscreen, video-compatible, numerous setting, control and monitoring options, e.g. air conditioning control, fuel consumption, machine and attachment parameters
Air-conditioning	automatic air-conditioning, recirculated air function, fast de-icing and demisting at the press of a button, air vents can be operated via a menu; recirculated air and fresh air filters can be easily replaced and are accessible from the outside; heating-cooling unit, designed for extreme outside temperatures, sensors for solar radiation, inside and outside temperatures



Equipment

Type	weight-optimized design for bulk and general cargo handling at optimal handling capacity. Complex and stable mountings of equipment and cylinders
Hydraulic cylinders	Liebherr cylinders with special sealing and guide system and, depending on cylinder type, shock absorption
Energy recovering cylinder	Liebherr gas cylinder with special sealing and control system
Bearings	sealed, low maintenance



Undercarriage

Mobile	
Version	Standard, High Rise
Drive	one axle drive per drive axle with Liebherr axial piston motor and functional brake valve on both sides
Travel speed	
Joystick steering	0 – 2.5 mph stepless (creeper speed) 0 – 7.5 mph stepless 0 – 2.2 mph stepless (creeper speed) (High Rise) 0 – 6.2 mph stepless (High Rise)
Driving operation	automotive driving using accelerator pedal, cruise control function: storage of variable accelerator pedal positions
Axles	154,300 lb / 198,400 lb drive axles (LH 60 M / LH 60 M High Rise); manual or automatic hydraulically controlled front axle oscillation lock
Service brake	two circuit travel brake system with accumulator; disc brake
Holding brake	wet multi-disc (spring applied, pressure released)
Stabilization	4 point outriggers
Crawler	
Versions	SW, High Rise
Drive	Liebherr compact planetary reduction gear with Liebherr axial piston motor per side of undercarriage
Travel speed	0 – 1.7 mph stepless (creeper speed) 0 – 2.5 mph stepless 0 – 1.6 mph stepless (creeper speed) (High Rise) 0 – 2.5 mph stepless (High Rise)
Brake	functional brake valves on both sides
Holding brake	wet multi-disc (spring applied, pressure released)
Track pads	triple grouser, flat
Tracks	sealed and greased

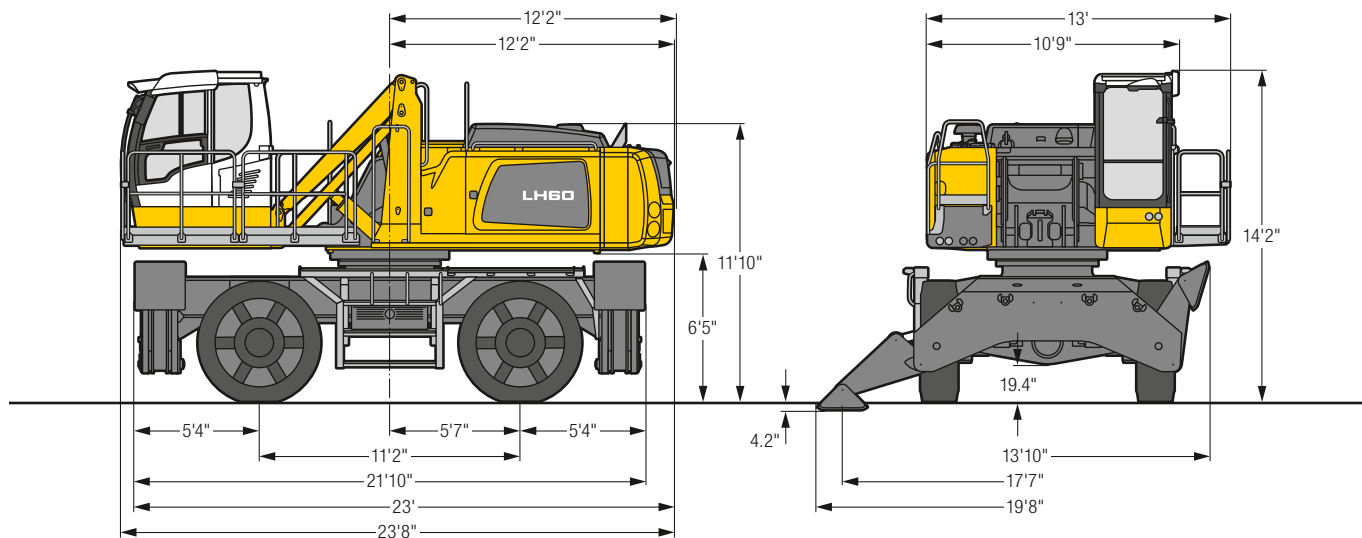


Complete Machine

Lubrication	Liebherr central lubrication system for upper-carriage and equipment, automatically	
Mobile (Option)	Liebherr central lubrication system for under-carriage, automatically	
Steps system	safe and durable access system with anti-slip steps; main components hot-galvanized	
Noise emission		
ISO 6396	L_{pA} (inside cab)	= not specified
2000/14/EC	L_{WA} (surround noise)	= not specified

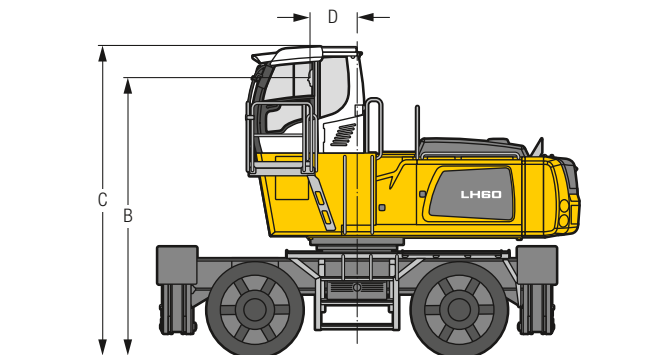
LH 60 M – Dimensions

Port



LH 60 M – Choice of Cab Elevation

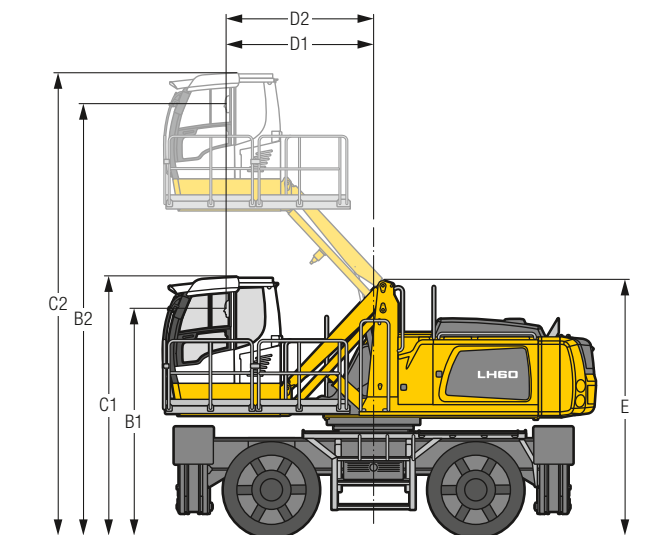
Cab Elevation LFC (Rigid Elevation)



Increase type	LFC 120
Height	3'11"
B	15' 3"
C	16'11"
D	2' 7"

A rigid cab elevation has a fixed eye level height. For a lower transport height, the shell of the cab can be removed and replaced by a transport device. The dimension C is in this machine design for all rigid cab elevations 14'.

Cab Elevation LHC (Hydraulic Elevation)



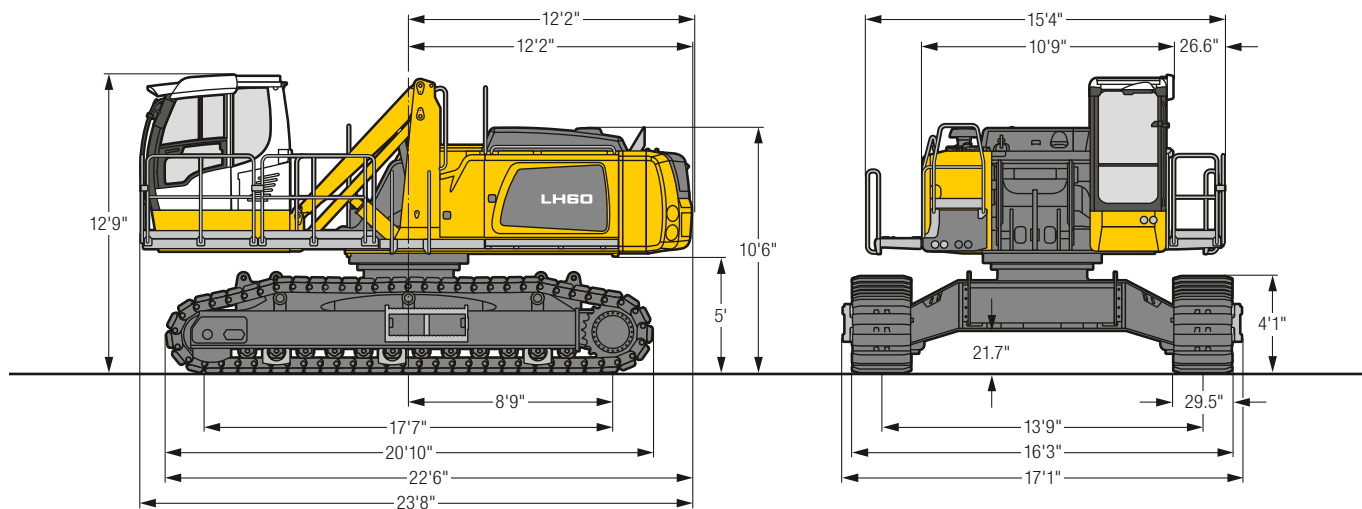
Increase type	LHC 255	LHC 340-35
B1	11' 3"	12'5"
B2	19' 8"	23'8"
C1	12'11"	14'2"
C2	21' 4"	25'4"
D1	4' 5"	8'1"
D2	4'10"	8'1"
E	12' 8"	13'11"

The hydraulically adjustable cab allows the driver, that he can choose his field of view freely and at any time within the stroke.

Tires 18.00-25

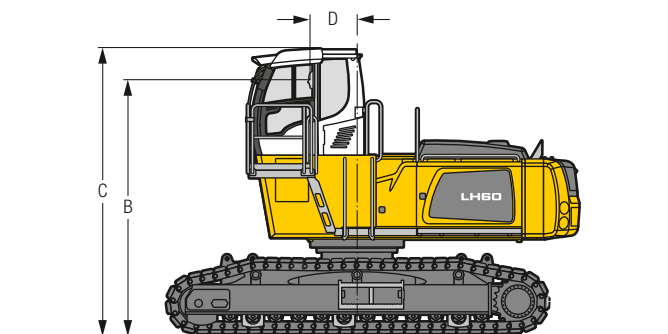
LH 60 C – Dimensions

Port



LH 60 C – Choice of Cab Elevation

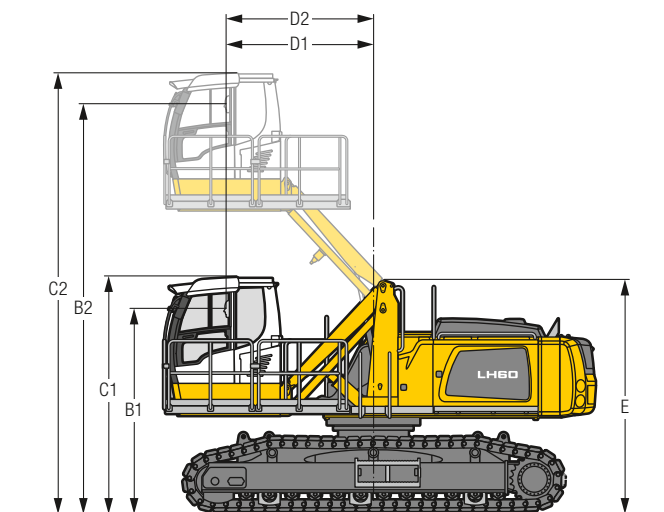
Cab Elevation LFC (Rigid Elevation)



Increase type	LFC 120
Height	3'11"
B	13'10"
C	15' 7"
D	2' 7"

A rigid cab elevation has a fixed eye level height. For a lower transport height, the shell of the cab can be removed and replaced by a transport device. The dimension C is in this machine design for all rigid cab elevations 12'7".

Cab Elevation LHC (Hydraulic Elevation)

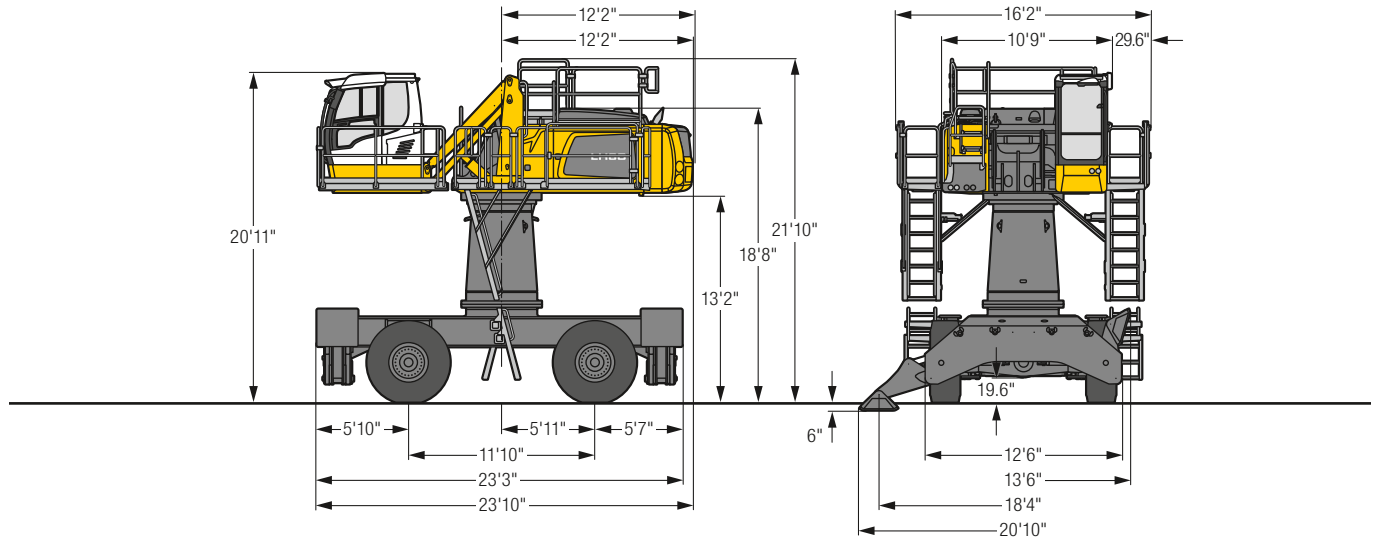


Increase type	LHC 255	LHC 340-35
B1	9'11"	11'1"
B2	18' 3"	22'3"
C1	11' 7"	12'9"
C2	20'	24'
D1	4' 5"	8'1"
D2	4'10"	8'1"
E	11' 3"	12'7"

The hydraulically adjustable cab allows the driver, that he can choose his field of view freely and at any time within the stroke.

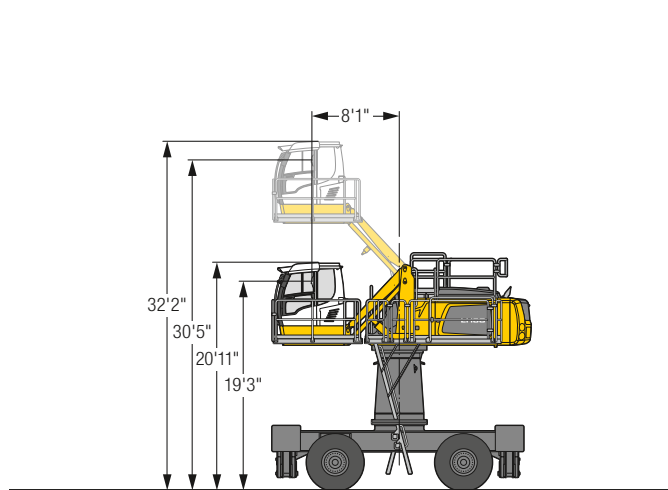
LH 60 M HR – Dimensions

Port



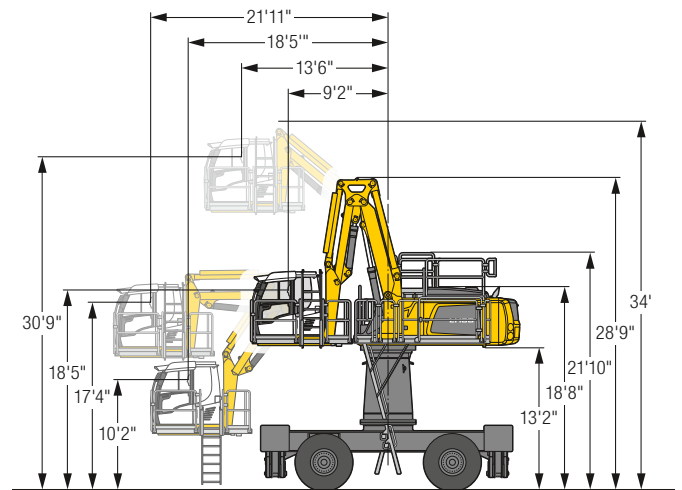
LH 60 M HR – Choice of Cab Elevation

Cab Elevation LHC (Hydraulic Elevation)



Increase type **LHC 340-35**
The hydraulically adjustable cab allows the driver, that he can choose his field of view freely and at any time within the stroke.

Cab Elevation LHC-D (Hydraulic Elevation)

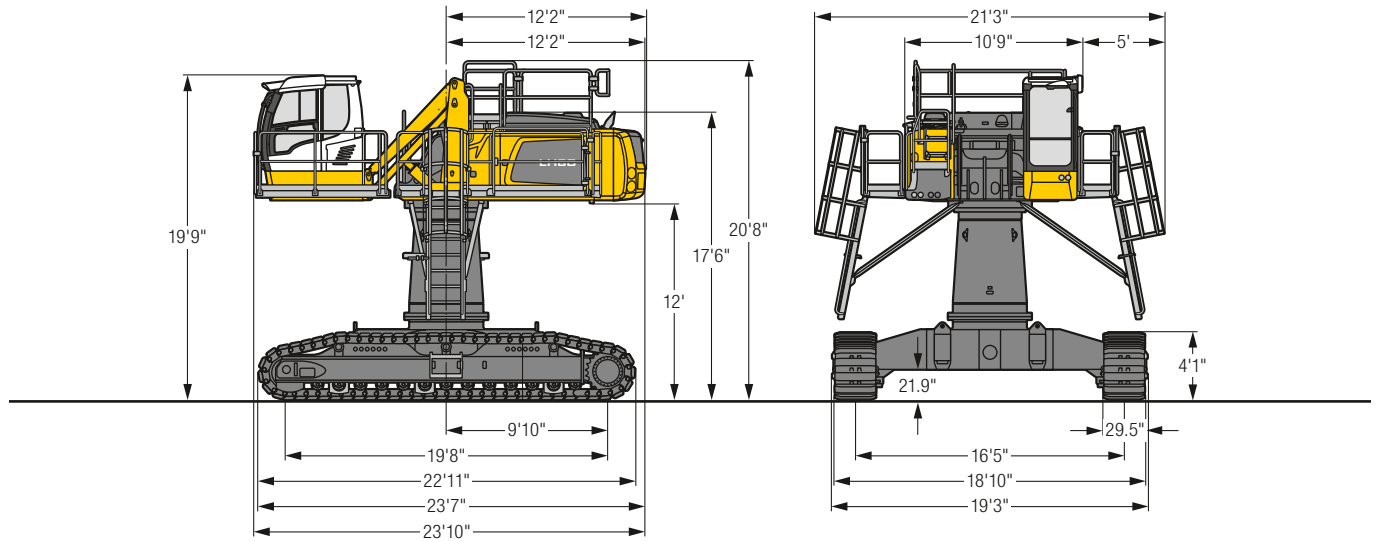


Increase type **LHC-D 730**
The hydraulically adjustable cab allows the driver, that he can choose his field of view freely and at any time within the stroke.

Tires 23.5-25

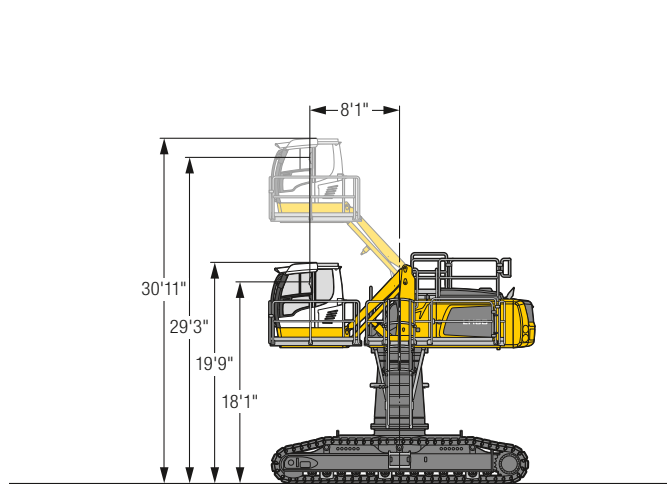
LH 60 C HR – Dimensions

Port



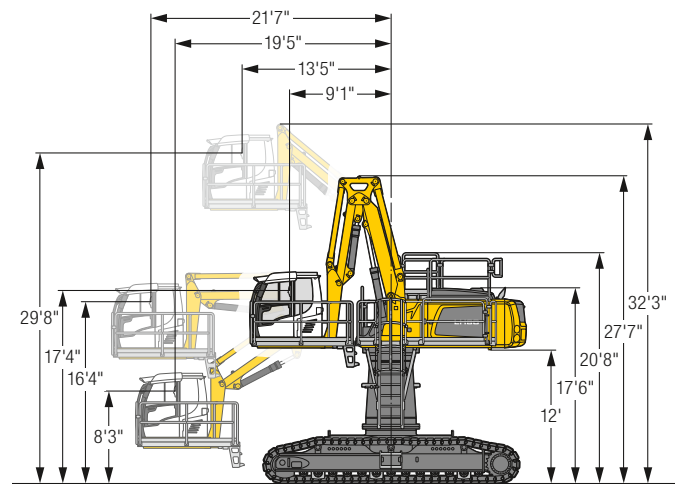
LH 60 C HR – Choice of Cab Elevation

Cab Elevation LHC (Hydraulic Elevation)



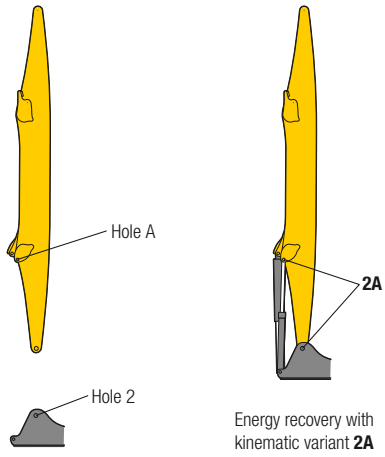
Increase type **LHC 340-35**
 The hydraulically adjustable cab allows the driver, that he can choose his field of view freely and at any time within the stroke.

Cab Elevation LHC-D (Hydraulic Elevation)

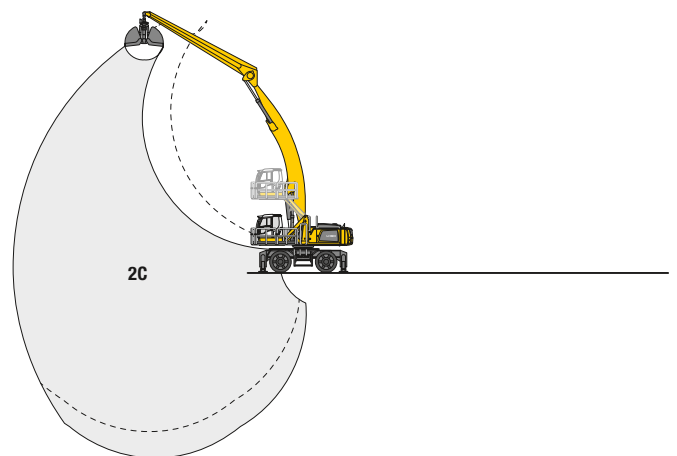
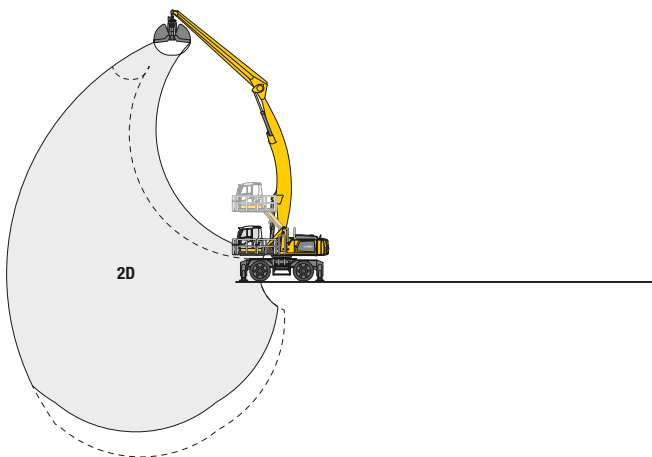
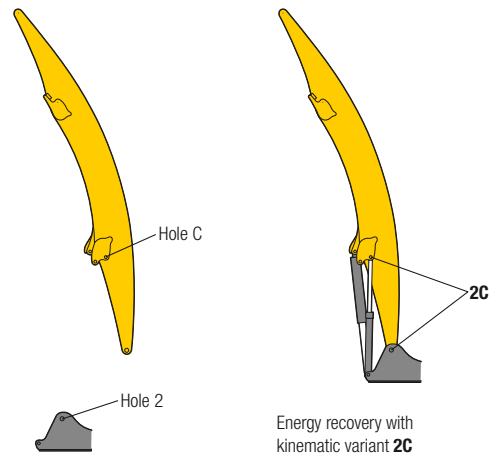
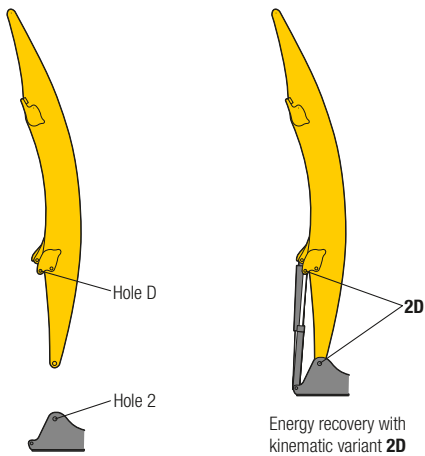


Increase type **LHC-D 730**
 The hydraulically adjustable cab allows the driver, that he can choose his field of view freely and at any time within the stroke.

Kinematic Variant 2A



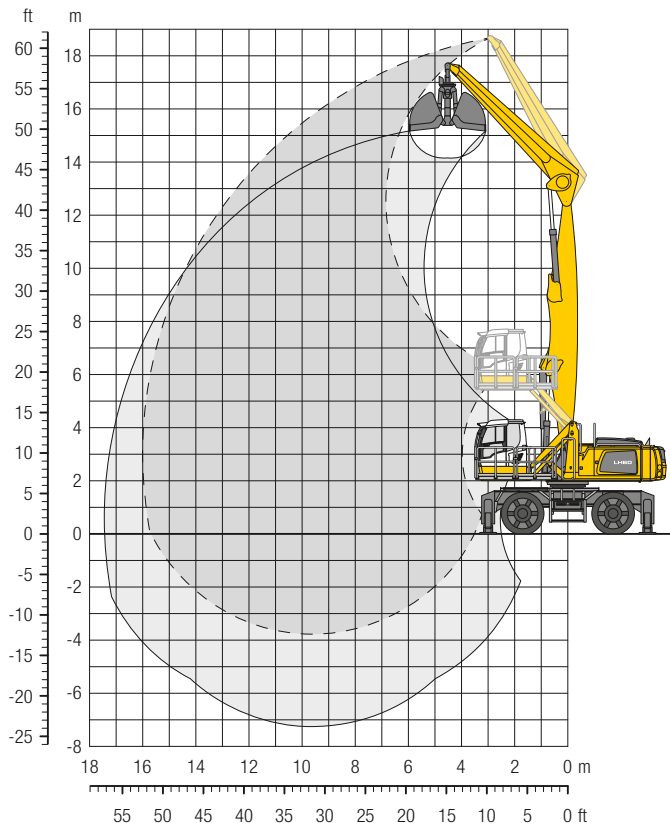
Kinematic Variant 2D/2C



Altered range curve with additional reach depth, e.g. for unloading from ships

LH 60 M – Equipment GG16

Port – Kinematic 2A

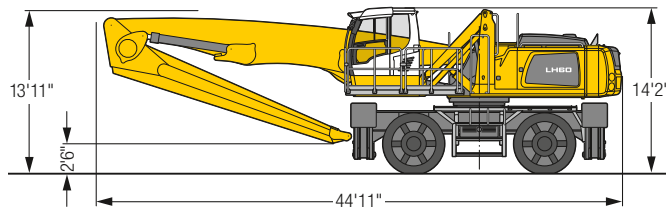


Operating Weight

The operating weight includes the basic machine with 4 point outriggers, hydr. cab elevation, 4 solid tires, straight boom 31'2", straight stick 22'4" and grab for loose material GMZ 80/7.85 yd³.

Weight 140,900 lb

Dimensions



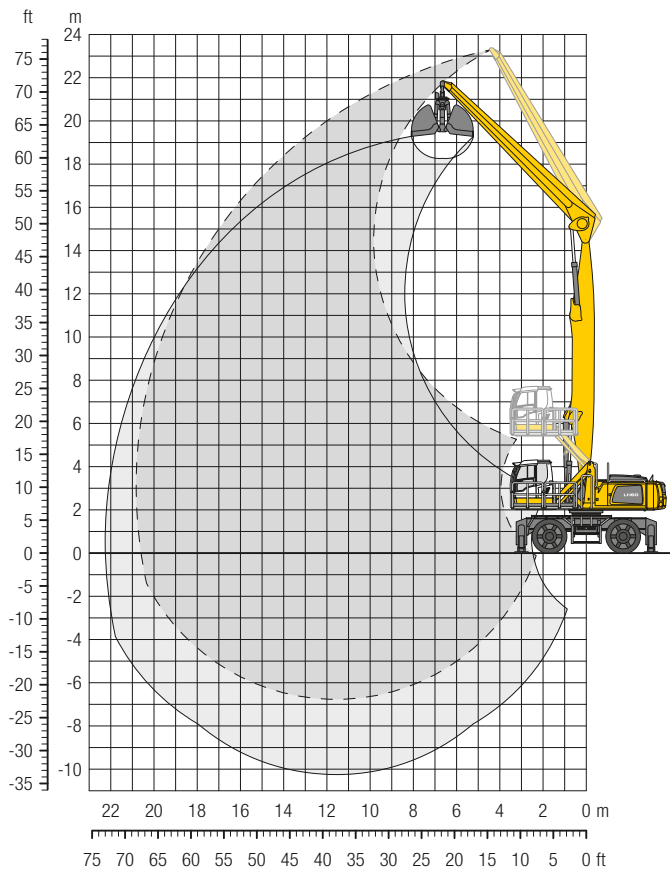
ft	Undercarriage	20 ft		25 ft		30 ft		35 ft		40 ft		45 ft		50 ft		55 ft		60 ft		65 ft		70 ft		75 ft		ft in		
		ft	in	ft	in	ft	in	ft	in	ft	in	ft	in	ft	in	ft	in	ft	in	ft	in	ft	in	ft	in	ft	in	
60	4 pt. outriggers down																											37,8" 37,8" 14'11"
55	4 pt. outriggers down	36,6"	36,6"	30,3"	30,3"																							27,1" 27,1" 26' 7"
50	4 pt. outriggers down			35,2"	35,2"	30,3"	30,3"																					23,3" 23,3" 33' 8"
45	4 pt. outriggers down			34,3"	34,3"	30,8"	30,8"	28,3"	28,3"																			21,2" 21,2" 38'11"
40	4 pt. outriggers down			34,1"	34,1"	30,5"	30,5"	27,9"	27,9"	25,8"	25,8"																	20,0" 20,0" 43'
35	4 pt. outriggers down			34,5"	34,5"	30,7"	30,7"	27,9"	27,9"	25,7"	25,7"	22,8"	22,8"															19,2" 19,2" 46' 1"
30	4 pt. outriggers down	38,6"	38,6"	35,6"	35,6"	31,4"	31,4"	28,3"	28,3"	25,8"	25,8"	23,7"	23,7"															18,8" 18,8" 48' 6"
25	4 pt. outriggers down	42,3"	42,3"	37,3"	37,3"	32,5"	32,5"	29,0"	29,0"	26,2"	26,2"	23,8"	23,8"	19,8"	19,8"													18,6" 18,6" 50' 4"
20	4 pt. outriggers down	47,9"	47,9"	39,5"	39,5"	33,9"	33,9"	29,8"	29,8"	26,6"	26,6"	24,0"	24,0"	21,3"	21,5"													18,6" 18,6" 51' 6"
15	4 pt. outriggers down	52,0"	52,0"	41,9"	41,9"	35,3"	35,3"	30,6"	30,6"	27,0"	27,0"	24,1"	24,1"	21,1"	21,2"													18,8" 18,8" 52' 4"
10	4 pt. outriggers down	55,4"	55,4"	43,9"	43,9"	36,5"	36,5"	31,2"	31,2"	27,3"	27,3"	24,0"	24,0"	20,8"	20,8"													18,5" 18,5" 52' 6"
5	4 pt. outriggers down	38,2"	38,2"	44,8"	44,8"	37,0"	37,0"	31,4"	31,4"	27,1"	27,1"	23,5"	23,5"	19,8"	19,8"													17,2" 17,2" 52' 4"
0	4 pt. outriggers down	29,8"	29,8"	44,1"	44,1"	36,5"	36,5"	30,9"	30,9"	26,4"	26,4"	22,4"	22,4"	17,9"	17,9"													15,8" 15,8" 51' 6"
-5	4 pt. outriggers down	29,9"	29,9"	41,4"	41,4"	34,6"	34,6"	29,2"	29,2"	24,6"	24,6"	20,2"	20,2"															17,0" 17,0" 48' 1"
-10	4 pt. outriggers down			36,3"	36,3"	30,8"	30,8"	26,0"	26,0"	21,4"	21,4"																	19,9" 19,9" 41' 7"

Height **Can be slewed through 360°** **In longitudinal position of undercarriage** **Max. reach** * Limited by hydr. capacity

The lift capacities on the stick end without attachment are stated in lb x 1,000 and are valid on a firm, level supporting surface with blocked oscillating axle. These capacities can be slewed through 360° with the undercarriage in the transverse position. Capacities in the longitudinal position of the undercarriage (+/- 15°) are specified over the rigid axle with the stabilizers down. Indicated loads based on the ISO 10567 standard and do not exceed 75% of tipping or 87% of hydraulic capacity. The lift capacity values indicated are attained at the corresponding operating temperature. This operating temperature is ensured by continuous movement of the boom. Weights of fitted attachments (grabs, load hooks, etc.) and load accommodation attachment are to be deducted from the lift capacity values. The lift capacity of the unit is limited by its stability, the lifting capability of the hydraulic elements, or the maximum permissible lifting capacity of the load hook.

LH 60 M – Equipment GG21

Port – Kinematic 2A

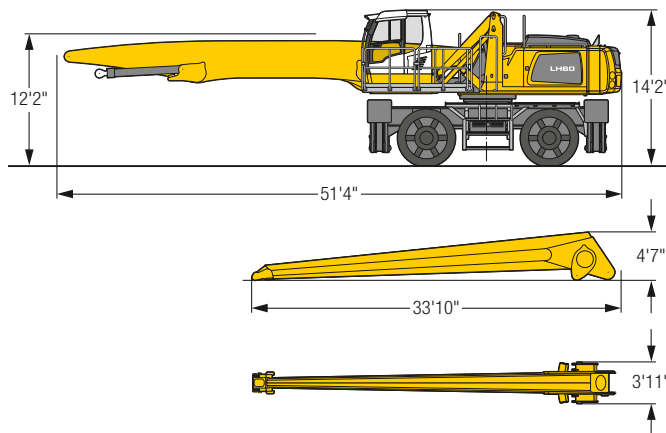


Operating Weight

The operating weight includes the basic machine with 4 point outriggers, hydr. cab elevation, 4 solid tires, straight boom 37'9", straight stick 32'2" and grab for loose material GMZ 80/ 5.23 yd³.

Weight 142,800 lb

Dimensions



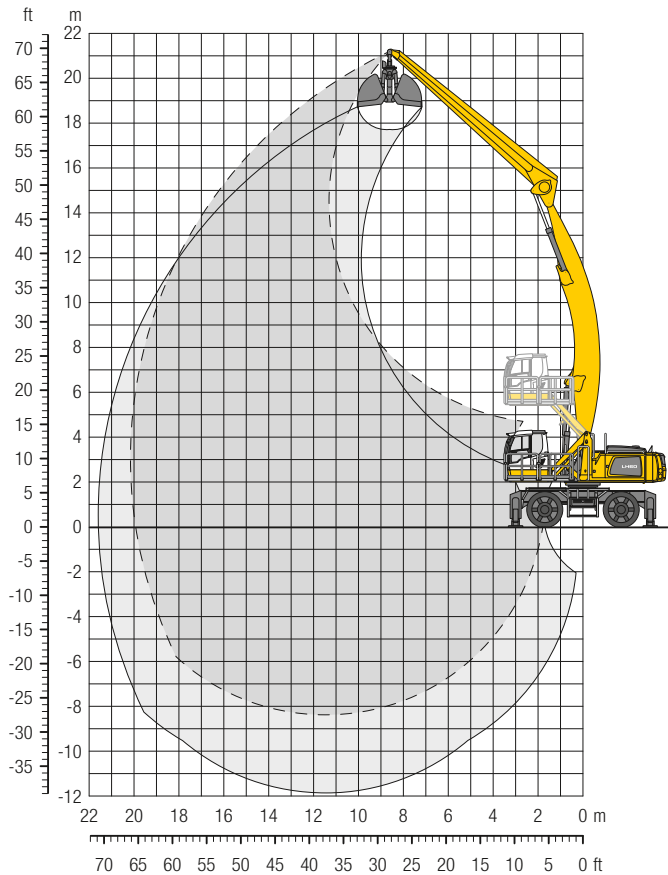
ft	Undercarriage	Reach (ft)														ft in				
		20 ft	25 ft	30 ft	35 ft	40 ft	45 ft	50 ft	55 ft	60 ft	65 ft	70 ft	75 ft	ft	in					
75	4 pt. outriggers down																25,4"	25,4"	19'11"	
70	4 pt. outriggers down		25,0"	25,0"	21,3"	21,3"											19,1"	19,1"	32' 1"	
65	4 pt. outriggers down				24,2"	24,2"	21,3"	21,3"	16,6"	16,6"							16,4"	16,4"	40' 1"	
60	4 pt. outriggers down				25,2"	25,2"	23,4"	23,4"	20,8"	20,8"	16,6"	16,6"					14,9"	14,9"	46' 4"	
55	4 pt. outriggers down						23,3"	23,3"	21,3"	21,3"	19,7"	19,7"	15,6"	15,6"			13,9"	13,9"	51' 2"	
50	4 pt. outriggers down						23,1"	23,1"	21,1"	21,1"	19,5"	19,5"	18,1"	18,1"	13,6"	13,6"	13,2"	13,2"	55' 2"	
45	4 pt. outriggers down						23,1"	23,1"	21,0"	21,0"	19,4"	19,4"	18,0"	18,0"	16,8"	16,8"	12,7"	12,7"	58' 6"	
40	4 pt. outriggers down						23,2"	23,2"	21,2"	21,2"	19,5"	19,5"	18,0"	18,0"	16,8"	16,8"	14,6"	14,6"	61' 4"	
35	4 pt. outriggers down				26,3"	26,3"	23,6"	23,6"	21,4"	21,4"	19,6"	19,6"	18,1"	18,1"	16,8"	16,8"	15,6"	15,6"	63' 6"	
30	4 pt. outriggers down				27,2"	27,2"	24,2"	24,2"	21,8"	21,8"	19,9"	19,9"	18,3"	18,3"	16,9"	16,9"	15,6"	15,6"	65' 4"	
25	4 pt. outriggers down			26,8"	26,8"	28,3"	28,3"	24,9"	24,9"	22,3"	22,3"	20,2"	20,2"	18,5"	18,5"	17,0"	17,0"	15,6"	15,6"	66' 7"
20	4 pt. outriggers down	26,5"	26,5"	32,3"	32,3"	29,5"	29,5"	25,8"	25,8"	22,9"	22,9"	20,6"	20,6"	18,7"	18,7"	17,1"	17,1"	15,6"	15,6"	67' 7"
15	4 pt. outriggers down	45,5"	45,5"	36,7"	36,7"	30,8"	30,8"	26,6"	26,6"	23,5"	23,5"	21,0"	21,0"	18,9"	18,9"	17,2"	17,2"	15,4"	15,6"	68' 1"
10	4 pt. outriggers down	48,7"	48,7"	38,6"	38,6"	32,0"	32,0"	27,4"	27,4"	24,0"	24,0"	21,3"	21,3"	19,1"	19,1"	17,2"	17,2"	15,1"	15,5"	68' 4"
5	4 pt. outriggers down	28,2"	28,2"	39,9"	39,9"	32,9"	32,9"	28,0"	28,0"	24,3"	24,3"	21,4"	21,4"	19,1"	19,1"	17,0"	17,1"	14,9"	15,2"	68' 4"
0	4 pt. outriggers down	17,7"	17,7"	40,3"	40,3"	33,2"	33,2"	28,2"	28,2"	24,4"	24,4"	21,4"	21,4"	18,9"	18,9"	16,6"	16,7"	14,6"	14,7"	67' 7"
-5	4 pt. outriggers down	16,2"	16,2"	33,3"	33,3"	32,8"	32,8"	27,8"	27,8"	24,0"	24,0"	20,9"	20,9"	18,4"	18,4"	16,1"	16,1"	13,8"	13,8"	66' 6"
-10	4 pt. outriggers down	16,9"	16,9"	29,6"	29,6"	31,4"	31,4"	26,7"	26,7"	23,1"	23,1"	20,1"	20,1"	17,4"	17,4"	15,0"	15,0"	12,4"	12,4"	63' 4"
-15	4 pt. outriggers down	18,5"	18,5"	29,3"	29,3"	28,8"	28,8"	24,8"	24,8"	21,4"	21,4"	18,5"	18,5"	15,9"	15,9"	13,3"	13,3"	11,3"	11,3"	58' 5"
-20	4 pt. outriggers down			25,0"	25,0"	21,8"	21,8"	18,8"	18,8"	16,1"	16,1"							13,5"	13,5"	49' 11"

Height **Can be slewed through 360°** **In longitudinal position of undercarriage** **Max. reach** *** Limited by hydr. capacity**

The lift capacities on the stick end without attachment are stated in lb x 1,000 and are valid on a firm, level supporting surface with blocked oscillating axle. These capacities can be slewed through 360° with the undercarriage in the transverse position. Capacities in the longitudinal position of the undercarriage (+/- 15°) are specified over the rigid axle with the stabilizers down. Indicated loads based on the ISO 10567 standard and do not exceed 75% of tipping or 87% of hydraulic capacity. The lift capacity values indicated are attained at the corresponding operating temperature. This operating temperature is ensured by continuous movement of the boom. Weights of fitted attachments (grabs, load hooks, etc.) and load accommodation attachment are to be deducted from the lift capacity values. The lift capacity of the unit is limited by its stability, the lifting capability of the hydraulic elements, or the maximum permissible lifting capacity of the load hook.

LH 60 M – Equipment AG20

Port – Kinematic 2D

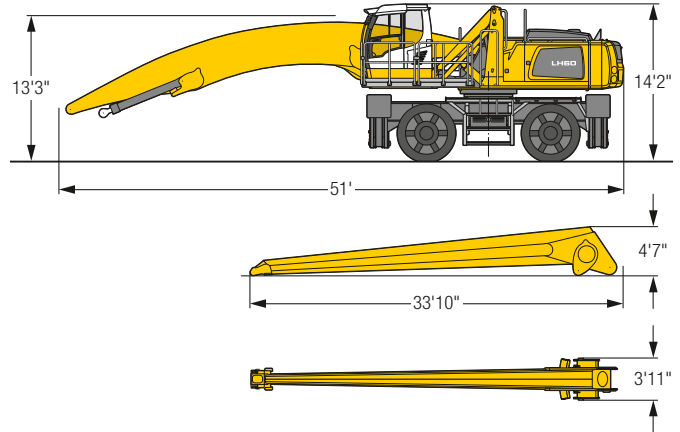


Operating Weight

The operating weight includes the basic machine with 4 point outriggers, hydr. cab elevation, 4 solid tires, angled boom 37'9", straight stick 32'2" and grab for loose material GMZ 80/ 5.23 yd³.

Weight **143,800 lb**

Dimensions



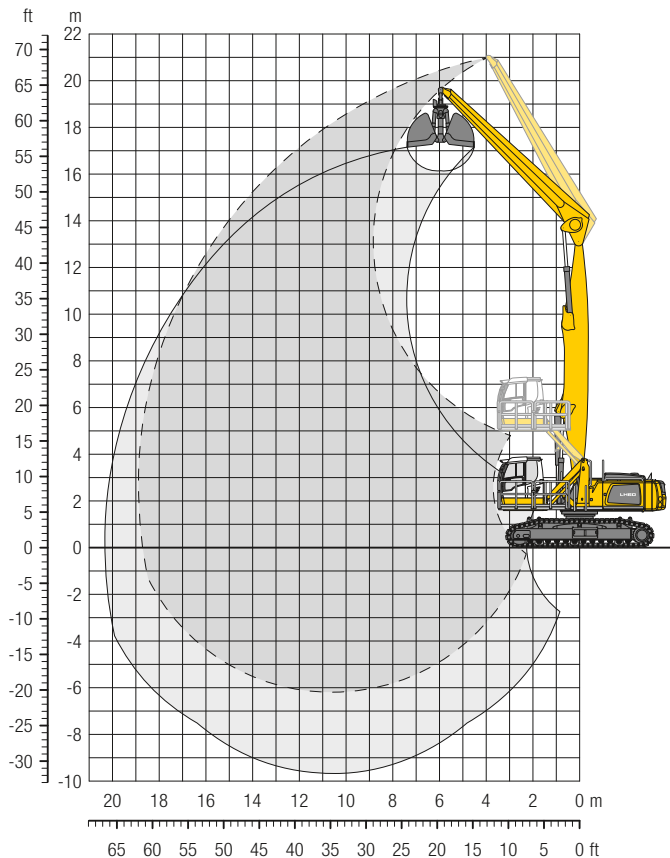
ft	Undercarriage	Reach (ft)															ft in				
		20	25	30	35	40	45	50	55	60	65	70	75	ft	in						
70	4 pt. outriggers down																	15,4"	15,4"	36' 4"	
65	4 pt. outriggers down					16,6"	16,6"											14,1"	14,1"	43'	
60	4 pt. outriggers down					20,0"	20,0"	16,8"	16,8"									13,3"	13,3"	48' 4"	
55	4 pt. outriggers down							18,4"	18,4"	16,4"	16,4"							12,7"	12,7"	52' 6"	
50	4 pt. outriggers down							18,1"	18,1"	17,0"	17,0"	15,4"	15,4"					12,7"	12,7"	52' 6"	
45	4 pt. outriggers down							18,1"	18,1"	16,9"	16,9"	15,9"	15,9"	13,6"	13,6"			12,4"	12,4"	56'	
40	4 pt. outriggers down							18,2"	18,2"	17,0"	17,0"	15,9"	15,9"	15,1"	15,1"			12,2"	12,2"	58' 11"	
35	4 pt. outriggers down					20,2"	20,2"	18,5"	18,5"	17,2"	17,2"	16,1"	16,1"	15,1"	15,1"	13,7"	13,7"	12,1"	12,1"	61' 2"	
30	4 pt. outriggers down					20,8"	20,8"	19,0"	19,0"	17,5"	17,5"	16,3"	16,3"	15,2"	15,2"	14,4"	14,4"	12,1"	12,1"	63'	
25	4 pt. outriggers down			24,3"	24,3"	21,7"	21,7"	19,6"	19,6"	17,9"	17,9"	16,6"	16,6"	15,4"	15,4"	14,5"	14,5"	12,2"	12,2"	64' 5"	
20	4 pt. outriggers down							22,6"	22,6"	20,3"	20,3"	18,4"	18,4"	16,9"	16,9"	15,7"	15,7"	14,6"	14,6"	65' 5"	
15	4 pt. outriggers down	39,8"	39,8"	32,2"	32,2"	27,3"	27,3"	23,7"	23,7"	21,0"	21,0"	19,0"	19,0"	17,3"	17,3"	15,9"	15,9"	14,7"	14,7"	13,5"	13,6"
10	4 pt. outriggers down	43,7"	43,7"	34,6"	34,6"	28,8"	28,8"	24,8"	24,8"	21,8"	21,8"	19,5"	19,5"	17,7"	17,7"	16,2"	16,2"	14,8"	14,8"	13,3"	13,6"
5	4 pt. outriggers down	42,0"	42,0"	36,6"	36,6"	30,2"	30,2"	25,7"	25,7"	22,5"	22,5"	20,0"	20,0"	18,0"	18,0"	16,3"	16,3"	14,9"	14,9"	13,1"	13,5"
0	4 pt. outriggers down	25,2"	25,2"	38,1"	38,1"	31,2"	31,2"	26,5"	26,5"	23,0"	23,0"	20,3"	20,3"	18,2"	18,2"	16,4"	16,4"	14,6"	14,8"	12,9"	13,2"
-5	4 pt. outriggers down	21,4"	21,4"	38,6"	38,6"	31,8"	31,8"	26,9"	26,9"	23,3"	23,3"	20,5"	20,5"	18,2"	18,2"	16,3"	16,3"	14,4"	14,5"	12,8"	12,8"
-10	4 pt. outriggers down	20,8"	20,8"	34,1"	34,1"	31,7"	31,7"	26,9"	26,9"	23,2"	23,2"	20,4"	20,4"	18,0"	18,0"	15,9"	15,9"	13,9"	13,9"	12,5"	12,5"
-15	4 pt. outriggers down	21,5"	21,5"	32,3"	32,3"	30,8"	30,8"	26,2"	26,2"	22,7"	22,7"	19,8"	19,8"	17,4"	17,4"	15,2"	15,2"	12,8"	12,8"	12,1"	12,1"
-20	4 pt. outriggers down	22,6"	22,6"	32,4"	32,4"	29,0"	29,0"	24,9"	24,9"	21,5"	21,5"	18,7"	18,7"	16,2"	16,2"	13,7"	13,7"	11,9"	11,9"	58' 5"	58' 5"
-25	4 pt. outriggers down			26,2"	26,2"	22,6"	22,6"	19,5"	19,5"	16,8"	16,8"	14,2"	14,2"					14,1"	14,1"	50' 2"	50' 2"

Height
Can be slewed through 360°
In longitudinal position of undercarriage
Max. reach
 * Limited by hydr. capacity

The lift capacities on the stick end without attachment are stated in lb x 1,000 and are valid on a firm, level supporting surface with blocked oscillating axle. These capacities can be slewed through 360° with the undercarriage in the transverse position. Capacities in the longitudinal position of the undercarriage (+/- 15°) are specified over the rigid axle with the stabilizers down. Indicated loads based on the ISO 10567 standard and do not exceed 75% of tipping or 87% of hydraulic capacity. The lift capacity values indicated are attained at the corresponding operating temperature. This operating temperature is ensured by continuous movement of the boom. Weights of fitted attachments (grabs, load hooks, etc.) and load accommodation attachment are to be deducted from the lift capacity values. The lift capacity of the unit is limited by its stability, the lifting capability of the hydraulic elements, or the maximum permissible lifting capacity of the load hook.

LH 60 C – Equipment GG19

Port – Kinematic 2A

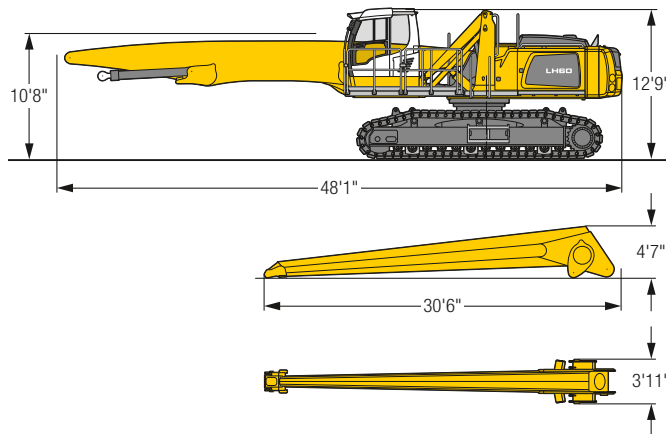


Operating Weight and Ground Pressure

The operating weight includes the basic machine with hydr. cab elevation, straight boom 34'5", straight stick 28'10" and grab for loose material GMZ 80/5.23 yd³.

Weight	145,500 lb
Pad width	30"
Ground pressure	on request

Dimensions



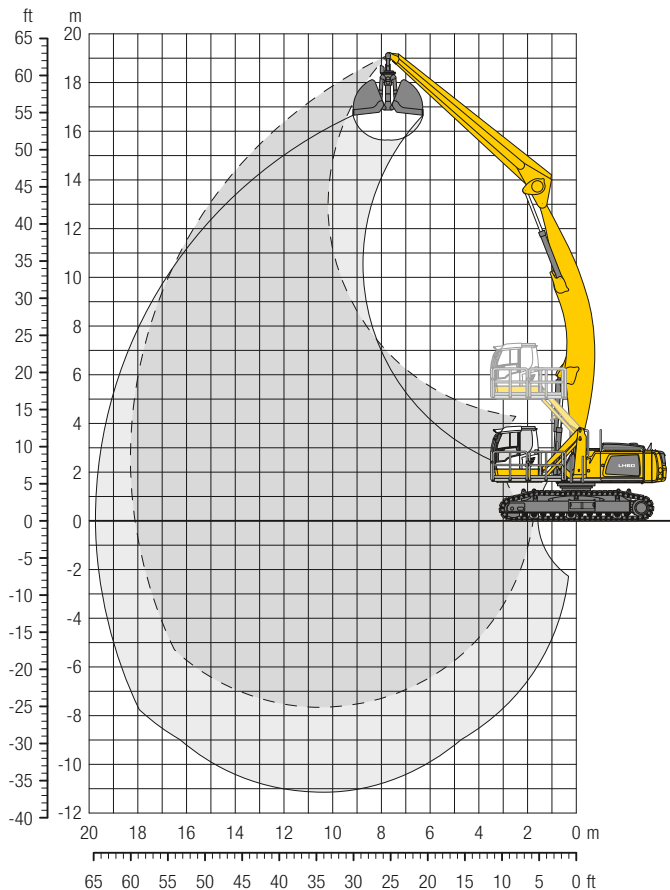
ft	Undercarriage	20 ft		25 ft		30 ft		35 ft		40 ft		45 ft		50 ft		55 ft		60 ft		65 ft		70 ft		75 ft		ft in				
		Height	Can be slewed through 360°	Height	Can be slewed through 360°	Height	Can be slewed through 360°	Height	Can be slewed through 360°	Height	Can be slewed through 360°	Height	Can be slewed through 360°	Height	Can be slewed through 360°	Height	Can be slewed through 360°	Height	Can be slewed through 360°	Height	Can be slewed through 360°	Height	Can be slewed through 360°	Height	Can be slewed through 360°	Height	Can be slewed through 360°	Height	Can be slewed through 360°	
65	SW	29,1*	29,1*																								23,9"	23,9"	24' 8"	
60	SW			27,9*	27,9*	24,3*	24,3*																					19,5"	19,5"	34' 1"
55	SW					26,9*	26,9*	23,8*	23,8*	18,4*	18,4*																	17,3"	17,3"	40' 8"
50	SW					27,4*	27,4*	24,9*	24,9*	23,1*	23,1*	17,5*	17,5*															16,0"	16,0"	45'10"
45	SW					27,0*	27,0*	24,6*	24,6*	22,7*	22,7*	21,2*	21,2*															15,1"	15,1"	49'11"
40	SW					27,0*	27,0*	24,5*	24,5*	22,6*	22,6*	21,0*	21,0*	18,2	19,6*													14,5"	14,5"	53' 4"
35	SW					27,3*	27,3*	24,8*	24,8*	22,7*	22,7*	21,0*	21,0*	18,3	19,6*	15,3	16,2*											14,1"	14,1"	55'11"
30	SW					28,0*	28,0*	25,3*	25,3*	23,0*	23,0*	21,2*	21,2*	18,2	19,6*	15,3	18,2*											13,8	13,9*	58' 1"
25	SW			30,5*	30,5*	29,1*	29,1*	26,0*	26,0*	23,5*	23,5*	21,4	21,5*	17,9	19,8*	15,2	18,2*											13,0	13,8*	59' 8"
20	SW	29,5*	29,5*	35,1*	35,1*	30,4*	30,4*	26,9*	26,9*	24,1*	24,1*	20,9	21,9*	17,6	20,0*	15,0	18,3*	12,9	16,1*								12,5	13,8*	60'11"	
15	SW	42,7*	42,7*	37,6*	37,6*	31,9*	31,9*	27,8*	27,8*	24,4	24,7*	20,3	22,2*	17,2	20,2*	14,8	18,3*	12,7	16,0								12,2	13,9*	61' 7"	
10	SW	49,9*	49,9*	39,9*	39,9*	33,4*	33,4*	28,7	28,8*	23,6	25,3*	19,7	22,6*	16,8	20,3*	14,5	18,2	12,6	15,9								12,0	14,1*	62'	
5	SW	52,8*	52,8*	41,7*	41,7*	34,3	34,5*	27,5	29,5*	22,7	25,7*	19,2	22,7*	16,4	20,2*	14,2	17,9	12,5	15,4*								11,9	13,9*	61'11"	
0	SW	27,4*	27,4*	42,5	42,6*	32,8	35,1*	26,5	29,8*	22,0	25,8*	18,7	22,6*	16,1	19,9*	14,0	17,4*	12,3	14,3*								12,0	13,0*	61' 5"	
-5	SW	22,6*	22,6*	40,9	42,1*	31,7	34,8*	25,7	29,5*	21,4	25,4*	18,2	22,1*	15,8	19,2*	13,8	16,3*	12,3	12,4*								12,0*	12,0*	60' 4"	
-10	SW	22,6*	22,6*	39,9	39,9*	30,9	33,4*	25,1	28,3*	21,0	24,3*	17,9	20,9*	15,6	17,8*	13,7	14,5*										12,8*	12,8*	57'	
-15	SW	24,3*	24,3*	36,0*	36,0*	30,5	30,6*	24,8	26,1*	20,7	22,3*	17,8	18,9*	15,5	15,6*												14,3*	14,3*	51' 8"	
-20	SW					26,2*	26,2*	22,5*	22,5*																		19,1*	19,1*	39'11"	

Height **Can be slewed through 360°** **In longitudinal position of undercarriage** **Max. reach** * Limited by hydr. capacity

The lift capacities on the stick end without attachment are stated in lb x 1,000 and can be slewed through 360° on a firm, level supporting surface. Capacities are valid for 30" wide triple grouser pads. Indicated loads based on the ISO 10567 standard and do not exceed 75% of tipping or 87% of hydraulic capacity. The lift capacity values indicated are attained at the corresponding operating temperature. This operating temperature is ensured by continuous movement of the boom. Weights of fitted attachments (grabs, load hooks, etc.) and load accommodation attachment are to be deducted from the lift capacity values. The lift capacity of the unit is limited by its stability, the lifting capability of the hydraulic elements, or the maximum permissible lifting capacity of the load hook.

LH 60 C – Equipment AG18

Port – Kinematic 2D

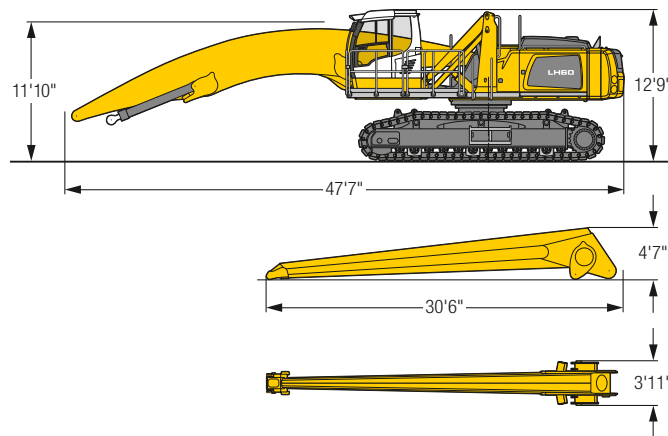


Operating Weight and Ground Pressure

The operating weight includes the basic machine with hydr. cab elevation, angled boom 34°5', straight stick 28°10" and grab for loose material GMZ 80/5.23 yd³.

Weight	146,500 lb
Pad width	30"
Ground pressure	on request

Dimensions



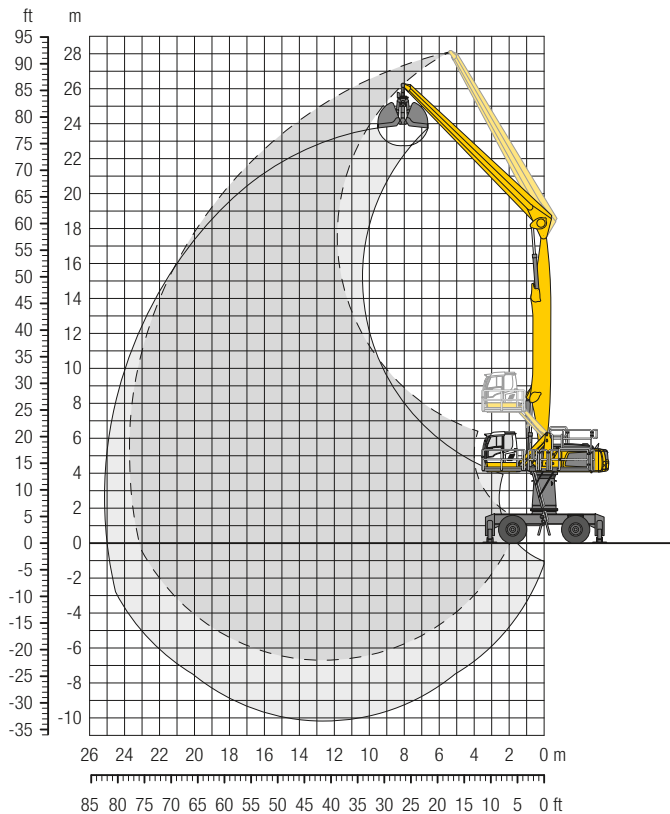
ft	Undercarriage	20 ft		25 ft		30 ft		35 ft		40 ft		45 ft		50 ft		55 ft		60 ft		65 ft		70 ft		75 ft		ft in				
		SW	SW	SW	SW	SW	SW	SW	SW	SW	SW	SW	SW	SW	SW	SW	SW	SW	SW	SW	SW	SW	SW	SW	SW	SW	SW	SW		
60	SW					18,7*	18,7*																				18,3"	18,3"	30' 5"	
55	SW							19,2*	19,2*																			16,3"	16,3"	37' 8"
50	SW							21,4*	21,4*	18,8*	18,8*																	15,2"	15,2"	43' 2"
45	SW							21,1*	21,1*	19,8*	19,8*	17,8*	17,8*															14,5"	14,5"	47' 6"
40	SW							21,0*	21,0*	19,7*	19,7*	18,6*	18,6*	15,6*	15,6*													14,1"	14,1"	51'
35	SW							21,3*	21,3*	19,8*	19,8*	18,6*	18,6*	17,6*	17,6*													13,9"	13,9"	53'10"
30	SW							21,8*	21,8*	20,2*	20,2*	18,8*	18,8*	17,7*	17,7*	15,4	15,5*											13,8"	13,8"	56'
25	SW					25,0*	25,0*	22,6*	22,6*	20,7*	20,7*	19,2*	19,2*	18,0*	18,0*	15,3	16,9*											13,8"	13,8"	57' 8"
20	SW			30,3*	30,3*	26,5*	26,5*	23,6*	23,6*	21,4*	21,4*	19,7*	19,7*	17,8	18,3*	15,1	17,1*											13,3	14,0*	58'11"
15	SW	39,9*	39,9*	32,9*	32,9*	28,2*	28,2*	24,8*	24,8*	22,3*	22,3*	20,2*	20,2*	17,4	18,6*	14,8	17,3*										12,8	14,3*	59' 8"	
10	SW	44,5*	44,5*	35,7*	35,7*	30,0*	30,0*	26,0*	26,0*	23,1*	23,1*	19,9	20,8*	16,9	19,0*	14,5	17,4*	12,5	14,7*								12,5	14,7*	60'	
5	SW	48,4*	48,4*	38,1*	38,1*	31,6*	31,6*	27,1*	27,1*	22,9	23,9*	19,3	21,3*	16,4	19,3*	14,2	17,5*										12,3	15,1*	59'11"	
0	SW	37,1*	37,1*	40,0*	40,0*	32,9*	32,9*	26,6	28,0*	22,1	24,5*	18,7	21,7*	16,0	19,5*	13,9	17,5*										12,3	15,7*	59' 6"	
-5	SW	28,8*	28,8*	40,8	40,9*	31,7	33,7*	25,6	28,6*	21,4	24,8*	18,1	21,8*	15,6	19,4*	13,6	17,2*										12,5	15,4*	58' 6"	
-10	SW	27,0*	27,0*	39,6	40,7*	30,7	33,7*	24,9	28,5*	20,8	24,7*	17,7	21,6*	15,4	18,9*	13,5	16,4*										12,8	15,1*	57' 1"	
-15	SW	27,4*	27,4*	38,9	39,2*	30,1	32,7*	24,4	27,8*	20,4	24,0*	17,5	20,8*	15,2	17,9*	13,4	14,8*										13,4	14,6*	55' 4"	
-20	SW	28,7*	28,7*	36,2*	36,2*	29,8	30,6*	24,2	26,1*	20,3	22,4*	17,4	19,1*	15,2	15,9*												14,8	15,1*	51' 1"	
-25	SW							23,1*	23,1*																		20,7*	20,7*	38' 5"	

Height Can be slewed through 360° In longitudinal position of undercarriage Max. reach * Limited by hydr. capacity

The lift capacities on the stick end without attachment are stated in lb x 1,000 and can be slewed through 360° on a firm, level supporting surface. Capacities are valid for 30" wide triple grouser pads. Indicated loads based on the ISO 10567 standard and do not exceed 75% of tipping or 87% of hydraulic capacity. The lift capacity values indicated are attained at the corresponding operating temperature. This operating temperature is ensured by continuous movement of the boom. Weights of fitted attachments (grabs, load hooks, etc.) and load accommodation attachment are to be deducted from the lift capacity values. The lift capacity of the unit is limited by its stability, the lifting capability of the hydraulic elements, or the maximum permissible lifting capacity of the load hook.

LH 60 M HR – Equipment GG24

Port – Kinematic 2A

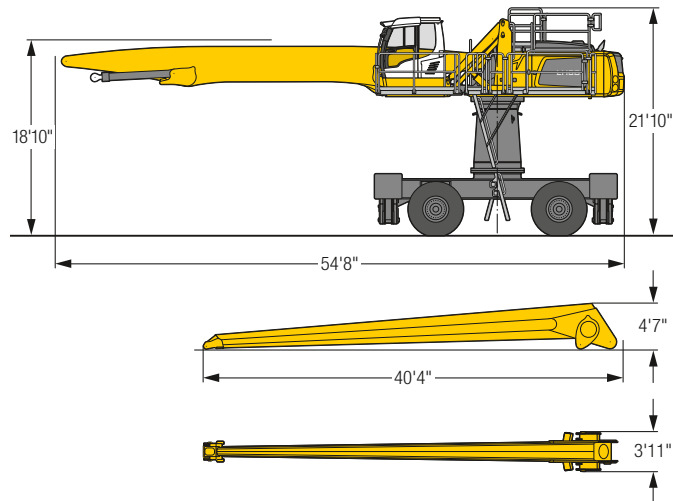


Operating Weight

The operating weight includes the basic machine with 4 point outriggers, turret 6'7", hydr. cab elevation, 4 solid tires, straight boom 41', straight stick 38'9" and grab for loose material GMZ 80/4.58 yd³.

Weight 166,800 lb

Dimensions



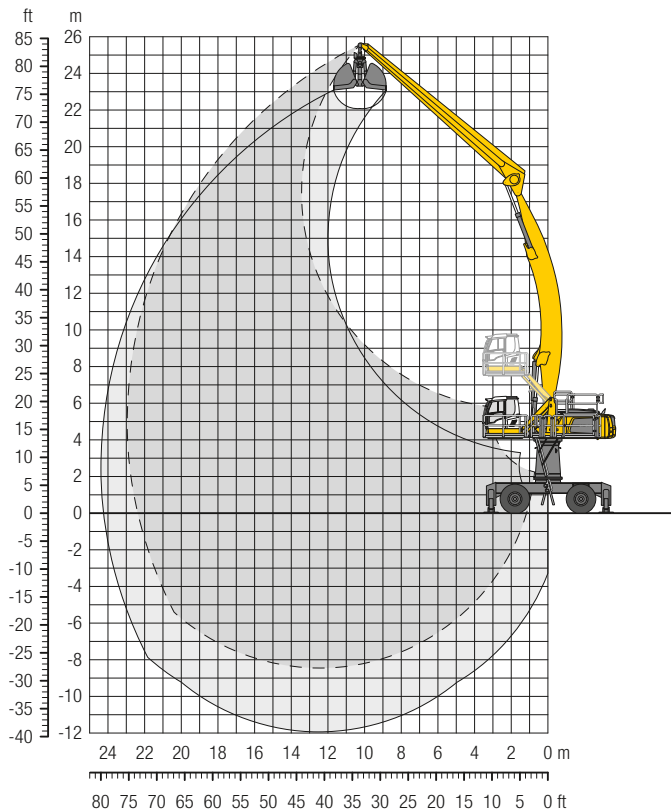
ft	Undercarriage	20 ft	25 ft	30 ft	35 ft	40 ft	45 ft	50 ft	55 ft	60 ft	65 ft	70 ft	75 ft	ft in	
90	4 pt. outriggers down		19,9*	19,9*										19,4' 19,4' 25' 8"	
85	4 pt. outriggers down			19,9*	19,9*	17,0*	17,0*							15,3' 15,3' 37' 1"	
80	4 pt. outriggers down					19,4*	19,4*	17,1*	17,1*	13,5*	13,5*			13,3' 13,3' 45' 1"	
75	4 pt. outriggers down					20,3*	20,3*	18,8*	18,8*	16,7*	16,7*	13,5*	13,5*	12,1' 12,1' 51' 6"	
70	4 pt. outriggers down					19,7*	19,7*	18,1*	18,1*	16,2*	16,2*	13,0*	13,0*	11,3' 11,3' 56' 8"	
65	4 pt. outriggers down					19,4*	19,4*	17,8*	17,8*	16,5*	16,5*	15,4*	15,4*	10,7' 10,7' 61'	
60	4 pt. outriggers down					19,3*	19,3*	17,7*	17,7*	16,4*	16,4*	15,2*	15,2*	10,3' 10,3' 64' 7"	
55	4 pt. outriggers down					19,3*	19,3*	17,7*	17,7*	16,3*	16,3*	15,2*	15,2*	10,0' 10,0' 67' 8"	
50	4 pt. outriggers down					19,4*	19,4*	17,7*	17,7*	16,4*	16,4*	15,2*	15,2*	9,8' 9,8' 70' 4"	
45	4 pt. outriggers down					19,6*	19,6*	17,9*	17,9*	16,5*	16,5*	15,2*	15,2*	9,6' 9,6' 72' 6"	
40	4 pt. outriggers down				21,4*	21,4*	19,9*	19,9*	18,2*	18,2*	16,6*	16,6*	15,4*	15,4*	9,5' 9,5' 74' 2"
35	4 pt. outriggers down				22,6*	22,6*	20,4*	20,4*	18,5*	18,5*	16,9*	16,9*	15,5*	15,5*	9,8' 9,8' 70' 4"
30	4 pt. outriggers down			22,4*	22,4*	23,5*	23,5*	20,9*	20,9*	18,8*	18,8*	17,1*	17,1*	9,5' 9,5' 76' 8"	
25	4 pt. outriggers down		22,7*	22,7*	26,7*	26,7*	24,3*	24,3*	21,4*	21,4*	19,2*	19,2*	17,4*	17,4*	9,6' 9,6' 77' 5"
20	4 pt. outriggers down	28,9*	28,9*	34,0*	34,0*	29,1*	29,1*	25,1*	25,1*	22,0*	22,0*	19,6*	19,6*	9,7' 9,7' 77' 8"	
15	4 pt. outriggers down	46,1*	46,1*	36,5*	36,5*	30,2*	30,2*	25,8*	25,8*	22,5*	22,5*	19,9*	19,9*	9,7' 9,7' 77' 10"	
10	4 pt. outriggers down	27,3*	27,3*	37,7*	37,7*	31,0*	31,0*	26,3*	26,3*	22,8*	22,8*	20,1*	20,1*	8,7' 8,7' 77' 6"	
5	4 pt. outriggers down	15,4*	15,4*	38,2*	38,2*	31,4*	31,4*	26,5*	26,5*	22,9*	22,9*	20,1*	20,1*	8,1' 8,1' 76' 11"	
0	4 pt. outriggers down	13,4*	13,4*	26,6*	26,6*	31,1*	31,1*	26,4*	26,4*	22,8*	22,8*	19,9*	19,9*	7,4' 7,4' 75' 11"	
-5	4 pt. outriggers down	13,5*	13,5*	23,1*	23,1*	30,2*	30,2*	25,7*	25,7*	22,2*	22,2*	19,4*	19,4*	7,5' 7,5' 73' 4"	
-10	4 pt. outriggers down	14,5*	14,5*	22,4*	22,4*	28,4*	28,4*	24,3*	24,3*	21,1*	21,1*	18,4*	18,4*	8,1' 8,1' 69' 2"	
-15	4 pt. outriggers down	15,9*	15,9*	22,9*	22,9*	25,6*	25,6*	22,2*	22,2*	19,3*	19,3*	16,8*	16,8*	9,0' 9,0' 63' 5"	
-20	4 pt. outriggers down			21,7*	21,7*	19,1*	19,1*	16,8*	16,8*	14,6*	14,6*	12,5*	12,5*	11,2' 11,2' 53' 4"	

Height **Can be slewed through 360°** **In longitudinal position of undercarriage** **Max. reach** * Limited by hydr. capacity

The lift capacities on the stick end without attachment are stated in lb x 1,000 and are valid on a firm, level supporting surface with blocked oscillating axle. These capacities can be slewed through 360° with the undercarriage in the transverse position. Capacities in the longitudinal position of the undercarriage (+/- 15°) are specified over the rigid axle with the stabilizers down. Indicated loads based on the ISO 10567 standard and do not exceed 75% of tipping or 87% of hydraulic capacity. The lift capacity values indicated are attained at the corresponding operating temperature. This operating temperature is ensured by continuous movement of the boom. Weights of fitted attachments (grabs, load hooks, etc.) and load accommodation attachment are to be deducted from the lift capacity values. The lift capacity of the unit is limited by its stability, the lifting capability of the hydraulic elements, or the maximum permissible lifting capacity of the load hook.

LH 60 M HR – Equipment AG23

Port – Kinematic 2D

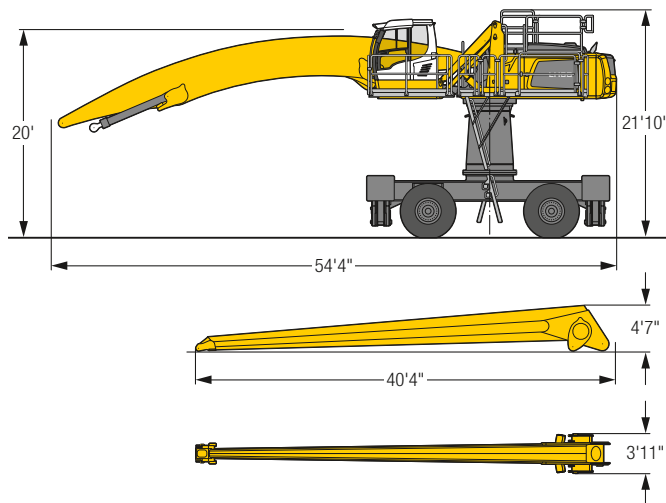


Operating Weight

The operating weight includes the basic machine with 4 point outriggers, turret 6'7", hydr. cab elevation, 4 solid tires, angled boom 41', straight stick 38'9" and grab for loose material GMZ 80/4.58 yd³.

Weight 168,100 lb

Dimensions



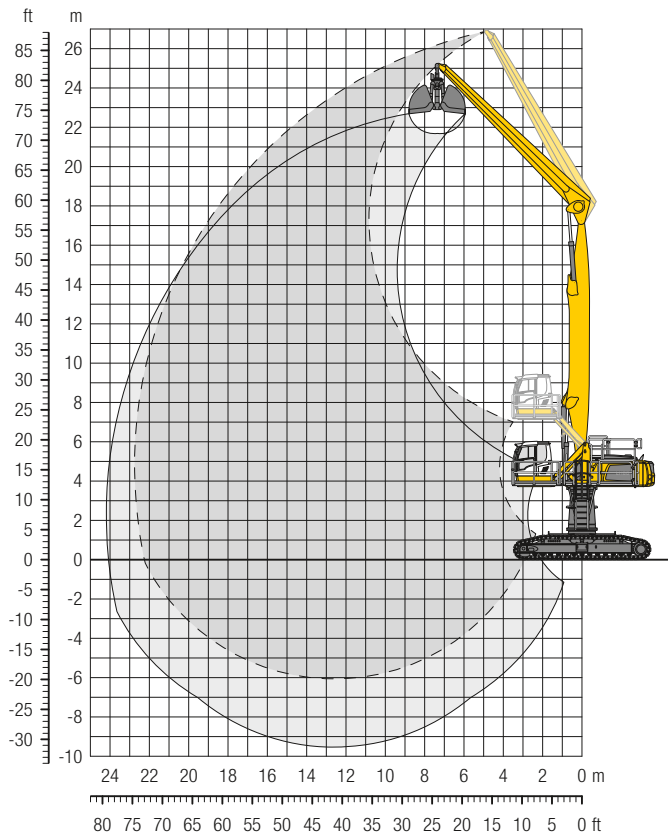
ft	Undercarriage	Reach (ft)														ft in												
		20 ft	25 ft	30 ft	35 ft	40 ft	45 ft	50 ft	55 ft	60 ft	65 ft	70 ft	75 ft	ft	in													
85	4 pt. outriggers down																	12,5'	12,5'	40' 8"								
80	4 pt. outriggers down					13,0'	13,0'												11,5'	11,5'	47' 7"							
75	4 pt. outriggers down					15,7'	15,7'	13,2'	13,2'										10,7'	10,7'	53' 1"							
70	4 pt. outriggers down							15,4'	15,4'	12,9'	12,9'								10,7'	10,7'	53' 1"							
65	4 pt. outriggers down							15,2'	15,2'	14,2'	14,2'	12,3'	12,3'						10,3'	10,3'	57' 8"							
60	4 pt. outriggers down							15,0'	15,0'	14,0'	14,0'	13,2'	13,2'					11,3'	11,3'	9,9'	9,9'	61' 7"						
55	4 pt. outriggers down							15,0'	15,0'	14,0'	14,0'	13,1'	13,1'	12,4'	12,4'				9,7'	9,7'	64'10"							
50	4 pt. outriggers down							15,1'	15,1'	14,0'	14,0'	13,1'	13,1'	12,4'	12,4'	11,7'	11,7'			9,6'	9,6'	67' 6"						
45	4 pt. outriggers down							15,3'	15,3'	14,2'	14,2'	13,2'	13,2'	12,4'	12,4'	11,7'	11,7'			9,5'	9,5'	69'10"						
40	4 pt. outriggers down					16,9'	16,9'	15,5'	15,5'	14,4'	14,4'	13,4'	13,4'	12,5'	12,5'	11,8'	11,8'	11,1'	11,1'	9,5'	9,5'	71' 7"						
35	4 pt. outriggers down					17,4'	17,4'	15,9'	15,9'	14,6'	14,6'	13,6'	13,6'	12,6'	12,6'	11,9'	11,9'	11,2'	11,2'	9,5'	9,5'	73'						
30	4 pt. outriggers down				20,0'	20,0'	18,0'	18,0'	16,3'	16,3'	14,9'	14,9'	13,8'	13,8'	12,8'	12,8'	12,0'	12,0'	11,2'	11,2'	9,7'	9,7'	74' 1"					
25	4 pt. outriggers down			23,9'	23,9'	20,9'	20,9'	18,6'	18,6'	16,8'	16,8'	15,3'	15,3'	14,0'	14,0'	13,0'	13,0'	12,1'	12,1'	11,3'	11,3'	9,8'	9,8'	74'10"				
20	4 pt. outriggers down	37,2'	37,2'	30,1'	30,1'	25,3'	25,3'	21,9'	21,9'	19,3'	19,3'	17,3'	17,3'	15,6'	15,6'	14,3'	14,3'	13,2'	13,2'	12,2'	12,2'	11,3'	11,3'	10,3'	10,3'	10,0'	10,0'	75' 2"
15	4 pt. outriggers down	40,5'	40,5'	32,1'	32,1'	26,6'	26,6'	22,8'	22,8'	19,9'	19,9'	17,7'	17,7'	16,0'	16,0'	14,6'	14,6'	13,3'	13,3'	12,3'	12,3'	11,3'	11,3'	10,4'	10,4'	10,3'	10,3'	75' 4"
10	4 pt. outriggers down	42,6'	42,6'	33,8'	33,8'	27,8'	27,8'	23,6'	23,6'	20,5'	20,5'	18,2'	18,2'	16,3'	16,3'	14,8'	14,8'	13,5'	13,5'	12,4'	12,4'	11,3'	11,3'	10,2'	10,2'	10,2'	10,2'	75'
5	4 pt. outriggers down	22,8'	22,8'	35,1'	35,1'	28,7'	28,7'	24,3'	24,3'	21,0'	21,0'	18,5'	18,5'	16,6'	16,6'	14,9'	14,9'	13,6'	13,6'	12,3'	12,3'	11,2'	11,2'	10,1'	10,1'	10,1'	10,1'	74' 5"
0	4 pt. outriggers down	18,5'	18,5'	33,3'	33,3'	29,3'	29,3'	24,7'	24,7'	21,4'	21,4'	18,8'	18,8'	16,7'	16,7'	15,0'	15,0'	13,5'	13,5'	12,2'	12,2'	10,9'	10,9'	10,0'	10,0'	10,0'	10,0'	73' 5"
-5	4 pt. outriggers down	17,4'	17,4'	27,6'	27,6'	29,3'	29,3'	24,8'	24,8'	21,4'	21,4'	18,8'	18,8'	16,7'	16,7'	14,9'	14,9'	13,3'	13,3'	11,9'	11,9'	10,5'	10,5'	9,8'	9,8'	9,8'	9,8'	72'
-10	4 pt. outriggers down	17,4'	17,4'	25,6'	25,6'	28,9'	28,9'	24,5'	24,5'	21,2'	21,2'	18,5'	18,5'	16,4'	16,4'	14,6'	14,6'	12,9'	12,9'	11,4'	11,4'	9,6'	9,6'	9,5'	9,5'	9,5'	9,5'	70' 4"
-15	4 pt. outriggers down	18,0'	18,0'	25,1'	25,1'	27,8'	27,8'	23,7'	23,7'	20,5'	20,5'	18,0'	18,0'	15,8'	15,8'	13,9'	13,9'	12,2'	12,2'	10,4'	10,4'			9,1'	9,1'	9,1'	9,1'	68' 2"
-20	4 pt. outriggers down	18,9'	18,9'	25,5'	25,5'	25,9'	25,9'	22,3'	22,3'	19,3'	19,3'	16,9'	16,9'	14,8'	14,8'	12,9'	12,9'	11,0'	11,0'					9,3'	9,3'	9,3'	9,3'	64'
-25	4 pt. outriggers down			23,0'	23,0'	20,0'	20,0'	17,5'	17,5'	15,2'	15,2'	13,1'	13,1'											11,2'	11,2'	11,2'	11,2'	54'11"

Height **Can be slewed through 360°** **In longitudinal position of undercarriage** **Max. reach** * Limited by hydr. capacity

The lift capacities on the stick end without attachment are stated in lb x 1,000 and are valid on a firm, level supporting surface with blocked oscillating axle. These capacities can be slewed through 360° with the undercarriage in the transverse position. Capacities in the longitudinal position of the undercarriage (+/- 15°) are specified over the rigid axle with the stabilizers down. Indicated loads based on the ISO 10567 standard and do not exceed 75% of tipping or 87% of hydraulic capacity. The lift capacity values indicated are attained at the corresponding operating temperature. This operating temperature is ensured by continuous movement of the boom. Weights of fitted attachments (grabs, load hooks, etc.) and load accommodation attachment are to be deducted from the lift capacity values. The lift capacity of the unit is limited by its stability, the lifting capability of the hydraulic elements, or the maximum permissible lifting capacity of the load hook.

LH 60 C HR – Equipment GG23

Port – Kinematic 2A

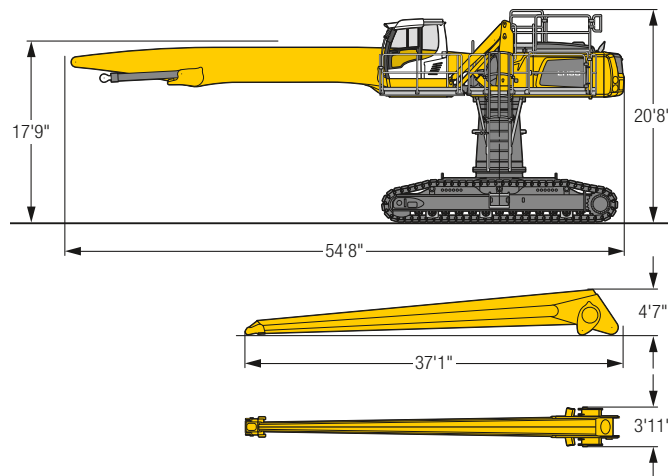


Operating Weight and Ground Pressure

The operating weight includes the basic machine with turret 6'7", hydr. cab elevation, straight boom 41', straight stick 35'5" and grab for loose material GMZ 80/4.58 yd³.

Weight	168,500 lb
Pad width	30"
Ground pressure	on request

Dimensions



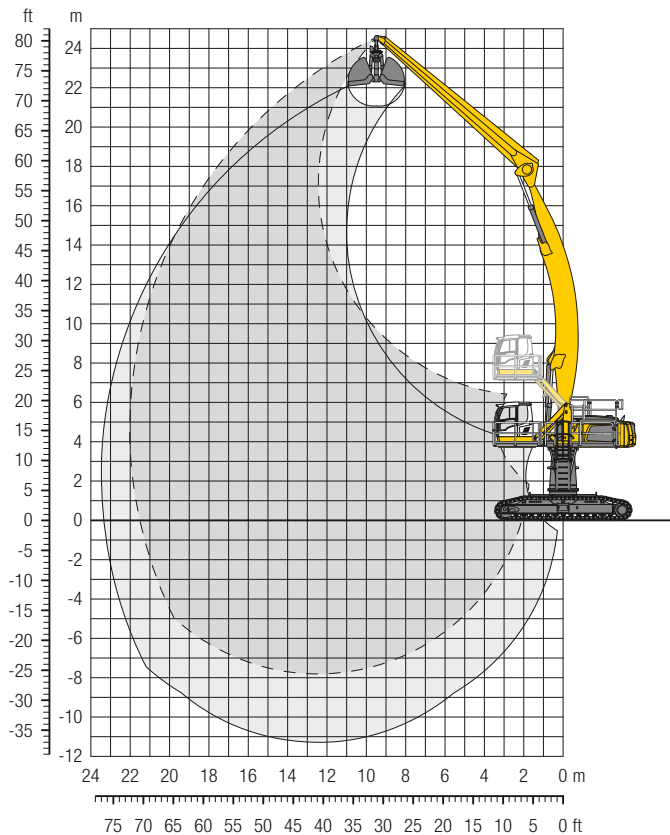
ft	Undercarriage	20 ft		25 ft		30 ft		35 ft		40 ft		45 ft		50 ft		55 ft		60 ft		65 ft		70 ft		75 ft		ft in		
		SW	SW	SW	SW	SW	SW	SW	SW	SW	SW	SW	SW	SW	SW	SW	SW	SW	SW	SW	SW	SW	SW	SW	SW	SW	SW	
85	SW			21,6"	21,6"																					20,2"	20,2"	26' 8"
80	SW					21,5"	21,5"	18,3"	18,3"																	16,3"	16,3"	37' 2"
75	SW							20,9"	20,9"	18,4"	18,4"															14,4"	14,4"	44'11"
70	SW							22,0"	22,0"	20,4"	20,4"	18,0"	18,0"	14,2"	14,2"											13,2"	13,2"	50'11"
65	SW							22,4"	22,4"	20,2"	20,2"	18,5"	18,5"	17,2"	17,2"	13,3"	13,3"									12,4"	12,4"	55'10"
60	SW									20,1"	20,1"	18,4"	18,4"	17,0"	17,0"	15,8"	15,8"									11,8"	11,8"	59'11"
55	SW									20,0"	20,0"	18,3"	18,3"	16,9"	16,9"	15,7"	15,7"	14,6"	14,6"							11,4"	11,4"	63' 4"
50	SW							22,2"	22,2"	20,1"	20,1"	18,3"	18,3"	16,9"	16,9"	15,7"	15,7"	14,6"	14,6"	12,7"	12,7"					11,1"	11,1"	66' 2"
45	SW							22,5"	22,5"	20,3"	20,3"	18,5"	18,5"	17,0"	17,0"	15,7"	15,7"	14,6"	14,6"	13,5"	13,5"					10,9"	10,9"	68' 6"
40	SW							22,9"	22,9"	20,6"	20,6"	18,7"	18,7"	17,1"	17,1"	15,8"	15,8"	14,6"	14,6"	13,5"	13,5"	11,6"	11,6"			10,7"	10,7"	70' 6"
35	SW					24,1"	24,1"	23,4"	23,4"	21,0"	21,0"	19,0"	19,0"	17,3"	17,3"	15,9"	15,9"	14,7"	14,7"	13,5"	13,5"	12,4"	12,4"			10,7"	10,7"	72'
30	SW			23,3"	23,3"	26,8"	26,8"	24,1"	24,1"	21,4"	21,4"	19,3"	19,3"	17,5"	17,5"	16,0"	16,0"	14,7"	14,7"	13,5"	13,5"	12,3"	12,3"			10,7"	10,7"	73' 2"
25	SW	23,2"	23,2"	29,0"	29,0"	28,7"	28,7"	24,9"	24,9"	22,0"	22,0"	19,6"	19,6"	17,8"	17,8"	16,2"	16,2"	14,8"	14,8"	13,5"	13,5"	12,2"	12,2"			10,8"	10,8"	74'
20	SW	44,7"	44,7"	35,8"	35,8"	29,9"	29,9"	25,6"	25,6"	22,5"	22,5"	20,0"	20,0"	18,0"	18,0"	16,3"	16,3"	14,8"	14,8"	13,5"	13,5"	12,1"	12,1"			10,5"	10,5"	74' 6"
15	SW	47,3"	47,3"	37,3"	37,3"	30,9"	30,9"	26,3"	26,3"	22,9"	22,9"	20,2"	20,2"	18,1"	18,1"	16,3"	16,3"	14,8"	14,8"	13,3"	13,3"	11,8"	11,8"			10,0"	10,0"	74' 8"
10	SW	18,1"	18,1"	38,3"	38,3"	31,5"	31,5"	26,7"	26,7"	23,2"	23,2"	20,4"	20,4"	18,1"	18,1"	16,3"	16,3"	14,6"	14,6"	13,1"	13,1"	11,4"	11,4"			9,4"	9,4"	74' 5"
5	SW	12,7"	12,7"	30,9"	30,9"	31,7"	31,7"	26,8"	26,8"	23,2"	23,2"	20,3"	20,3"	18,0"	18,0"	16,1"	16,1"	14,3"	14,3"	12,6"	12,6"	10,8"	10,8"			8,7"	8,7"	73'11"
0	SW	12,0"	12,0"	23,5"	23,5"	31,2"	31,2"	26,5"	26,5"	22,9"	22,9"	20,0"	20,0"	17,7"	17,7"	15,6"	15,6"	13,8"	13,8"	12,0"	12,0"	9,8"	9,8"			7,9"	7,9"	73'
- 5	SW	12,9"	12,9"	21,6"	21,6"	29,9"	29,9"	25,6"	25,6"	22,1"	22,1"	19,3"	19,3"	17,0"	17,0"	14,9"	14,9"	12,9"	12,9"	10,9"	10,9"	8,4"	8,4"			8,2"	8,2"	70' 2"
-10	SW	14,3"	14,3"	21,8"	21,8"	27,7"	27,7"	23,9"	23,9"	20,8"	20,8"	18,1"	18,1"	15,8"	15,8"	13,7"	13,7"	11,7"	11,7"	9,3"	9,3"					8,9"	8,9"	65'11"
-15	SW			22,9"	22,9"	24,5"	24,5"	21,4"	21,4"	18,7"	18,7"	16,3"	16,3"	14,1"	14,1"	12,0"	12,0"									10,0"	10,0"	59' 4"
-20	SW																											

Height **Can be slewed through 360°** **In longitudinal position of undercarriage** **Max. reach** * Limited by hydr. capacity

The lift capacities on the stick end without attachment are stated in lb x 1,000 and can be slewed through 360° on a firm, level supporting surface. Capacities are valid for 30" wide flat pads. Indicated loads based on the ISO 10567 standard and do not exceed 75% of tipping or 87% of hydraulic capacity. The lift capacity values indicated are attained at the corresponding operating temperature. This operating temperature is ensured by continuous movement of the boom. Weights of fitted attachments (grabs, load hooks, etc.) and load accommodation attachment are to be deducted from the lift capacity values. The lift capacity of the unit is limited by its stability, the lifting capability of the hydraulic elements, or the maximum permissible lifting capacity of the load hook.

LH 60 C HR – Equipment AG22

Port – Kinematic 2D

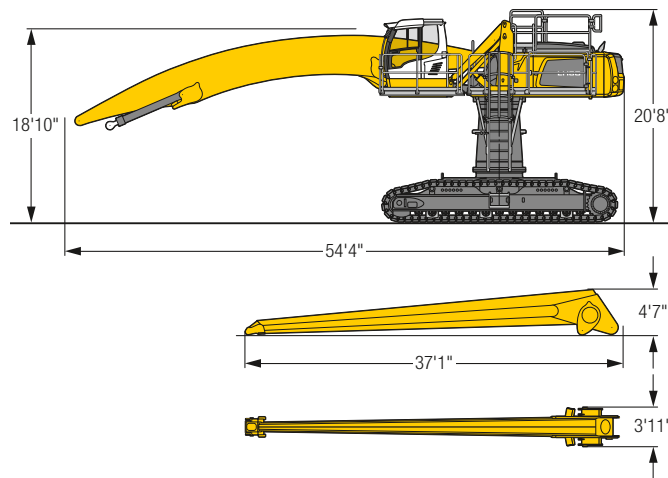


Operating Weight and Ground Pressure

The operating weight includes the basic machine with turret 6'7", hydr. cab elevation, angled boom 41', straight stick 35'5" and grab for loose material GMZ 80/4.58 yd³.

Weight	169,800 lb
Pad width	30"
Ground pressure	on request

Dimensions





ft	Undercarriage	20 ft		25 ft		30 ft		35 ft		40 ft		45 ft		50 ft		55 ft		60 ft		65 ft		70 ft		75 ft		ft in					
		SW	SW	SW	SW	SW	SW	SW	SW	SW	SW	SW	SW	SW	SW	SW	SW	SW	SW	SW	SW	SW	SW	SW	SW	SW	SW				
80	SW																										15,3"	15,3"	32' 2"		
75	SW									14,1"	14,1"																	13,5"	13,5"	40' 10"	
70	SW									17,1"	17,1"	14,2"	14,2"															12,5"	12,5"	47' 4"	
65	SW									17,2"	17,2"	15,9"	15,9"	13,9"	13,9"													11,8"	11,8"	52' 6"	
60	SW											15,7"	15,7"	14,7"	14,7"	13,0"	13,0"											11,3"	11,3"	56' 11"	
55	SW											15,7"	15,7"	14,6"	14,6"	13,7"	13,7"	11,5"	11,5"									11,0"	11,0"	60' 6"	
50	SW											15,7"	15,7"	14,6"	14,6"	13,7"	13,7"	12,9"	12,9"									10,8"	10,8"	63' 6"	
45	SW									17,2"	17,2"	15,9"	15,9"	14,7"	14,7"	13,7"	13,7"	12,9"	12,9"	11,8"	11,8"							10,7"	10,7"	65' 11"	
40	SW									17,6"	17,6"	16,1"	16,1"	14,9"	14,9"	13,8"	13,8"	13,0"	13,0"	12,2"	12,2"							10,7"	10,7"	68"	
35	SW											16,4"	16,4"	15,1"	15,1"	14,0"	14,0"	13,1"	13,1"	12,3"	12,3"							10,7"	10,7"	69' 7"	
30	SW													20,0"	20,0"	18,6"	18,6"	16,8"	16,8"	15,4"	15,4"	14,2"	14,2"	13,2"	13,2"	12,3"	12,3"	11,5"	11,5"	70' 10"	
25	SW																														
20	SW																														
15	SW																														
10	SW																														
5	SW																														
0	SW																														
-5	SW																														
-10	SW																														
-15	SW																														
-20	SW																														
-25	SW																														


Height **Can be slewed through 360°** **In longitudinal position of undercarriage** **Max. reach** * Limited by hydr. capacity


The lift capacities on the stick end without attachment are stated in lb x 1,000 and can be slewed through 360° on a firm, level supporting surface. Capacities are valid for 30" wide flat pads. Indicated loads based on the ISO 10567 standard and do not exceed 75% of tipping or 87% of hydraulic capacity. The lift capacity values indicated are attained at the corresponding operating temperature. This operating temperature is ensured by continuous movement of the boom. Weights of fitted attachments (grabs, load hooks, etc.) and load accommodation attachment are to be deducted from the lift capacity values. The lift capacity of the unit is limited by its stability, the lifting capability of the hydraulic elements, or the maximum permissible lifting capacity of the load hook.

Equipment

 Undercarriage	60 M	60 C	60 M HR	60 C HR
Track pads, variants		+		+
Individual control outriggers	+		•	
Three-piece chain guide		•		•
Shuttle axle lock, automatic	•		•	
Outrigger monitoring system	+		+	
Tires, variants	+		+	
Protection for piston rods, outriggers	+		+	
Two lockable storage compartments	•			

 Uppercarriage	60 M	60 C	60 M HR	60 C HR
Uppercarriage right side light, 1 piece, LED	•	•	•	•
Uppercarriage rear light, 2 pieces, LED	+	+		
Uppercarriage underneath rear light, 1 piece, LED			+	+
Refuelling system with filling pump	+	+	+	+
Railing on uppercarriage	+	+	•	•
Generator	+	+	+	+
Main battery switch for electrical system	•	•	•	•
Amber beacon, at uppercarriage, LED double flash	+	+	+	+
Protection for headlights	+	+		
Protection for rear lights	+	+		
Tool equipment, extended	•	•	•	•

 Hydraulic System	60 M	60 C	60 M HR	60 C HR
Electronic pump regulation	•	•	•	•
Liebherr hydraulic oil from -4 °F to +104 °F	•	•	•	•
Liebherr hydraulic oil, biologically degradable	+	+	+	+
Liebherr hydraulic oil, specially for warm or cold regions	+	+	+	+
Magnetic rod in hydraulic tank	•	•	•	•
Bypass filter	+	+	+	+
Preheating hydraulic oil	+	+	+	+

 Engine	60 M	60 C	60 M HR	60 C HR
Fuel anti-theft device	+	+	+	+
Air pre-filter with dust discharge	+	+	+	+
Automatic engine shut-down (time adjustable)	+	+	+	+
Preheating fuel	+	+	+	+
Preheating coolant	+	+	+	+
Preheating engine oil *	+	+	+	+

 Cooling System	60 M	60 C	60 M HR	60 C HR
Reversible fan drive, fully automatic	+	+	+	+
Protective grid in front of cooler intake	•	•	•	•



Operator's Cab

	60 M	60 C	60 M HR	60 C HR
Stabilizer, control lever, left console	+		+	
Stabilizer, proportional control on left joystick	•		•	
Cab lights rear, LED	+	+	+	+
Cab lights front, LED	+	+	+	+
Cab lights front, LED (under rain cover)	•	•	•	•
Armrest adjustable	•	•	•	•
Circular bubble level	+	+	•	•
Slewing gear brake Comfort, button on the left or right joystick	+	+	+	+
Driver profile, personalized (max. 5 drivers)	+	+	+	+
Operator's seat Comfort	•	•	•	•
Operator's seat Premium	+	+	+	+
Driving alarm				
(acoustic signal is emitted during travel, can be switched ON/OFF)	+	+	+	+
Fire extinguisher	+	+	+	+
Footrest	+	+	+	+
Horn, button on left joystick	•	•	•	•
Joystick steering	•			
Joystick and wheel steering (slim version)	+		+	
Cab elevation, hydraulic (LHC)	•	•	•	•
Cab elevation, hydraulic with double parallelogram (LHC-D)			+	+
Cab elevation, rigid (LFC)	+	+		
Automatic air conditioning	•	•	•	•
Wheel steering (slim version)	+		+	
LiDAT, vehicle fleet management	•	•	•	•
Proportional control	•	•	•	•
Radio Comfort, control via display with handsfree set	+	+	+	+
Preparation for radio installation	•	•	•	•
Back-up alarm				
(acoustic signal is emitted traveling backward, can not be switched off)	+		+	
Amber beacon, on cabin, LED double flash	+	+	+	+
Windows made from impact-resistant laminated safety glass	+	+	•	•
Windscreen wiper, roof	+	+	+	+
Windshield wiper, entire windscreen	•	•	•	•
Top guard	+	+	+	+
Front guard, adjustable	+	+	+	+
Sun visor	+	+	+	+
Left control console, folding	•	•	•	•



Equipment

	60 M	60 C	60 M HR	60 C HR
Boom lights, 2 pieces, LED	•	•	•	•
Stick lights, 2 pieces, LED	•	•	•	•
Boom shutoff (retract/extend), electronically	+	+	•	•
Equipment with electro-hydraulic end position control	•	•	•	•
AutoLift	+	+	+	+
Pressure warning mechanism hoist cylinder	•	•	•	•
ERC system	•	•	•	•
Filter system for attachment	+	+	+	+
Electronic lift limitation	+	+	+	+
Boom cylinder cushioning	•	•	•	•
Stick camera (with separate monitor), bottom side, with protection	+	+	+	+
Load torque limitation	+	+	+	+
Liebherr multi coupling system	+	+	+	+
Pipe fracture safety valves hoist cylinders	•	•	•	•
Pipe fracture safety valves stick cylinders	•	•	•	•
Quick coupling system MH 110B	+	+	+	+
Protection for piston rod, energy recovering cylinder	+	+	+	+
Protection for piston rods, hoist cylinder	+	+	+	+
Stick shutoff (retract), electronically	•	•		
Stick shutoff (retract/extend), electronically	+	+	•	•
Retract stick without pressure	•	•	•	•
Sticks with quick coupling	+	+	+	+
Overload warning device	+	+	+	+



Complete Machine

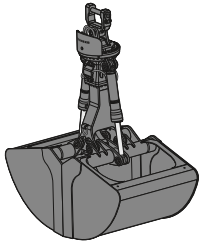
	60 M	60 C	60 M HR	60 C HR
Lubrication				
Lubrication undercarriage, manually – decentralized (grease points)	•			
Lubrication undercarriage, manually – centralized (one grease point)	+		•	
Central lubrication system for uppercarriage and equipment, automatically	•	•	•	•
Central lubrication system for undercarriage, automatically	+		+	
Central lubrication system, extension for attachment	+	+	+	+
Special coating				
Special coating, variants	+	+	+	+
Monitoring				
Rear view monitoring with camera	•	•	•	•
Side view monitoring with camera	•	•	•	•

• = Standard, + = Option

* = country-dependent

Options and/or special equipments, supplied by vendors other than Liebherr, are only to be installed with the knowledge and approval of Liebherr in order to retain warranty.

Attachments



Grab for Loose Material

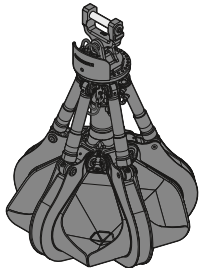
Shells for loose material with cutting edge (without teeth)

Grab model GMZ 50

Width of shells	ft in	4'7"	5'3"	5'11"	6'7"	7'3"	7'10"	10'6"
Capacity	yd ³	4.58	5.23	5.88	6.54	7.19	7.85	10.46
Loose material, specific weight up to	lb/yd ³	1,854	1,854	1,854	1,854	1,854	1,854	1,854
Weight	lb	5,940	6,240	6,405	6,690	6,990	7,275	8,445

Grab model GMZ 80

Width of shells	ft in	4'3"	4'11"	5'9"	6'7"	7'3"	8'6"	
Capacity	yd ³	3.92	4.58	5.23	5.88	6.54	7.85	
Weight	lb	5,545	5,800	6,120	6,440	6,700	7,220	



Multi-Tine Grab

closed

Grab model GMM 80-5 (5 tines)

Capacity	yd ³	1.44*	1.83*	2.22*	
Weight	lb	5,380	5,690	6,040	

Grab model GMM 120-5 (5 tines)

Capacity	yd ³	2.22	2.62	3.27	3.92
----------	-----------------	------	------	------	------

* heart-shaped



Wood Grab

Grab model GMH 50 round-shaped (overlapping, horizontal cylinders)

Size	yd ²	2.99	2.99	3.35	3.83	4.31
Cutting width	ft in	2'10"	3'3"	3'3"	3'3"	3'3"
Height of grab, closed	ft in	8'3"	8'4"	8'8"	9'1"	9'8"
Weight	lb	4,665	4,830	5,005	5,135	5,270

Grab model GMH 80 round-shaped (complete overlapping, vertical cylinders)

Size	yd ²	1.91	2.27	2.63	2.99	
Cutting width	ft in	2'10"	2'10"	2'10"	2'10"	
Height of grab, closed	ft in	10'6"	10'11"	11'5"	11'9"	
Weight	lb	4,840	4,940	4,970	5,105	

Load Hook

Max. load	lb	27,560
Height with suspension	ft in	3'1"
Weight	lb	300

Magnet Devices / Lifting Magnets

Generator	kW	13/20/25
Electromagnet with suspension		
Power	kW	12.8/17.8
Diameter of magnet	ft in	5'7"
Weight	lb	7,230*

* only magnet plate

