



## Heavy-Duty Conveyor Broom

# CB-100



04/19/17

#### ENGINE

Tier 4i, Kubota® 3.8L 99 hp (75 kW) @ 2,600 rpm

#### OPERATING WEIGHT

23,000 lbs (10,432 kg)



## SAVE TIME & MONEY WITH A PATENTED CLEAN SWEEP SYSTEM FOR FIRST PASS CLEAN-UP

### **Sweep & Load**

The Roadtec CB-100 is a mobile, self-propelled machine designed for sweeping and loading material. Designed with a patented clean sweep system for first pass cleanup, the CB-100 can be used for asphalt milling, snow removal and construction site sweeping. The Roadtec CB-100 Conveyor boom is constructed to be solid, dependable, and durable with a unique combination conveyor and sweeping system components.

### **Simple Operation**

Crew members control operations from a pressurized, dust-free, climate controlled and ROPS certified Cabin. Plush seats, sliding seat options windshield wipers and fingertip control panels provide maximum comfort and optimized visibility.

---

---

## Save Time & Money

The robust clean sweep system is powered by a low-emissions, Kubota® 3.8L 99 hp (74 kw) engine. The hydrostatic transmission delivers smooth control acceleration for all speed ranges. Oil bath sealed brakes come standard on the machine to increase the wear life and decrease operating costs.

## Exclusive Flow System Design

Bushes rotated at 150 RPMs with adjustable, free-floating designs that enable brushes to reach every crevice. Front mounted rakes comb through material to separate and remove large debris. Strike-off blades cut material heights to manageable levels. Specially designed, dual moldboards direct material to center, preventing end gate material loss. Front discharge, endless-cleated, 48" (1219 mm) conveyors transfer material away from the work zone, eliminating the expense of vacuum trucks.

## Built to Last

Heavy-duty frames and axles ensure the CB-100 is reliable and dependable. The Roadtec CB-100 is the only conveyor broom of its kind, providing profitability through durability, easy control and a clean sweep.



# SPECIFICATIONS

## ENGINE

- Tier 4i, Kubota® 3.8L 99 hp (74 kW) @ 2,600 rpm

## WEIGHT

- 23,000 lbs (10,432 kg)

## ELECTRICAL SYSTEM

- 110 amp sealed alternator
- 12v starting system
- Heavy-duty 16 gauge wiring
- Sealed A/C clutch

## PROPEL SYSTEM

- Closed loop hydraulic circuit
- Load sense auxiliary hydraulic circuit
- Planetary reduction at the wheels with sealed wet disc brakes
- Heavy-duty 14,000 lbs (6,350 kg) capacity axles.

## STEERING

- Front steer orbitrol, hydrostatic type

## SPEEDS

- Travel: 10 mph (16 km/hr)

## TIRES & WHEELS

- 10R17.5

## OPERATOR STATION

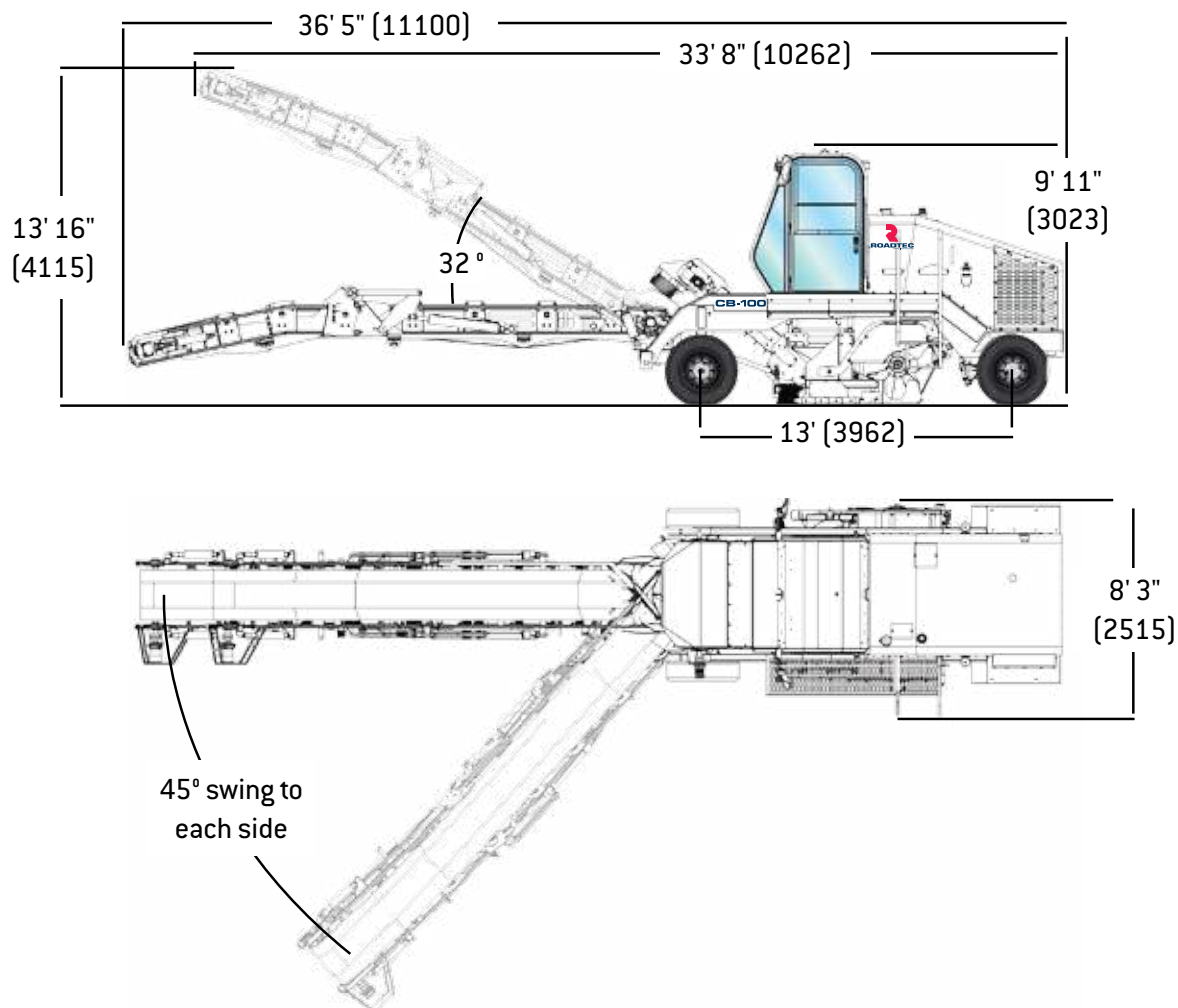
- Left-hand entry into spacious 2 door cab
- Headlight bar with front and rear lights
- Pressurized cab with filtered A/C and heat
- Fully adjustable reclining seat with armrests

## BRUSH

- Core size 32" (813 mm) diameter
- Core length 72" (18929 mm)
- 150 RPM

## SERVICE CAPACITIES

- Fuel – 67 gallons (253 l)
- Hydraulic tank – 67 gallons (253 l)
- Water tank (optional) – 220 gallons (833 l)



Dimensions in brackets are mm.

Specifications are subject to change without notice.

**ROADTEC** an Astec Industries Company

800 MANUFACTURERS RD • CHATTANOOGA, TN 37405 USA • 800.272.7100 • FAX 423.267.7104 • roadtec.com

