



Waste Handling Grapples

Trash Handling / Tamping

Builtrite Trash Handling/Tamping Grapples are designed for handling and densifying all types of solid waste. These grapples are ideal for use in waste transfer stations, assisting with loading solid waste into truck trailers, roll-off containers or railroad cars. When fully closed, the grapple bottom is flat, providing an excellent tamping device for densifying loads, ensuring maximum payload weights. The finest materials are used to provide maximum durability, exceptional performance and low maintenance, reducing your downtime. Key features include:

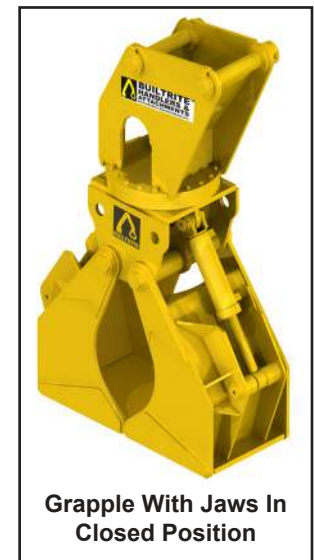
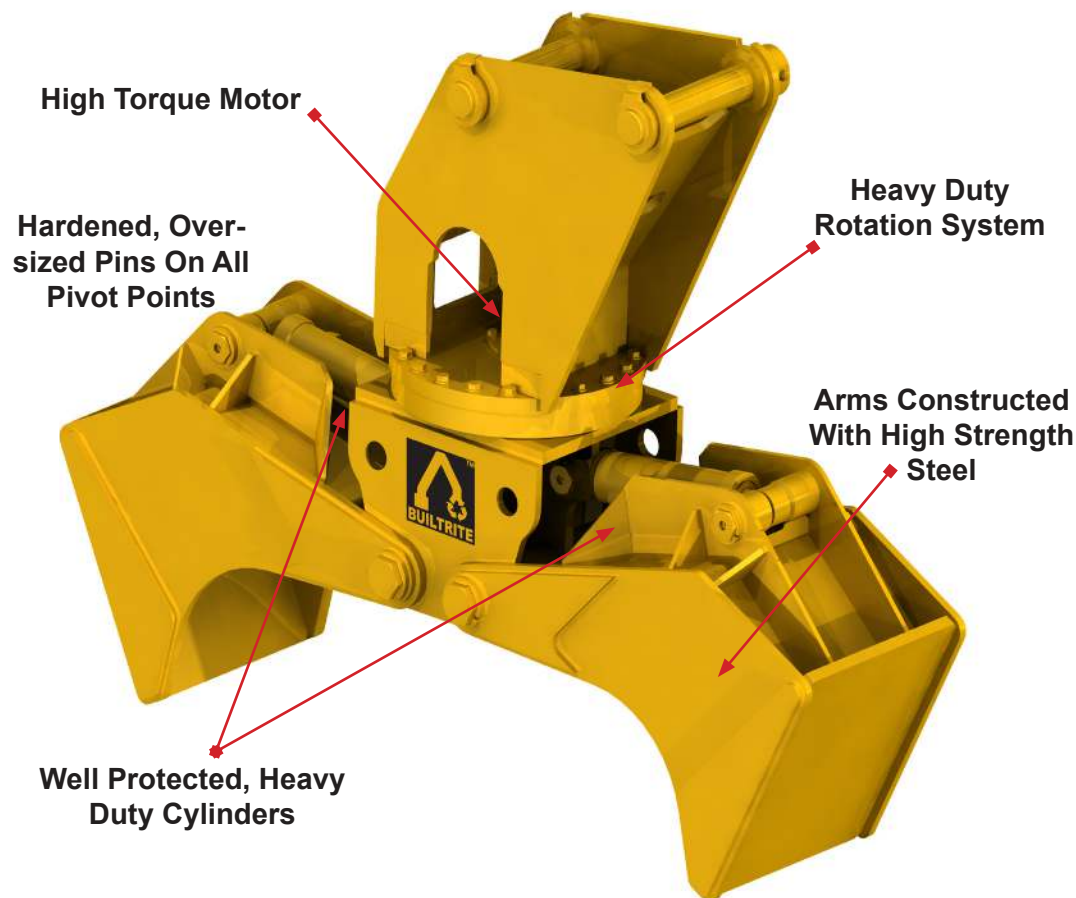
- 360° continuous rotation on heavy duty bearing with high torque motor and a high pressure hydraulic swivel.
- Large surface area when closed for optimal tamping performance.
- High tensile steel used throughout.
- Oversized, hardened cylinder and arm pivot pins with replaceable bushings.
- Easily accessible, yet well protected grease zerks.
- Made in U.S.A.

Options Include:

- Larger capacity arms (More width and depth). See photo at right.
- Can be mounted to Builtrite, Stationary Electric Material Handlers or excavators.

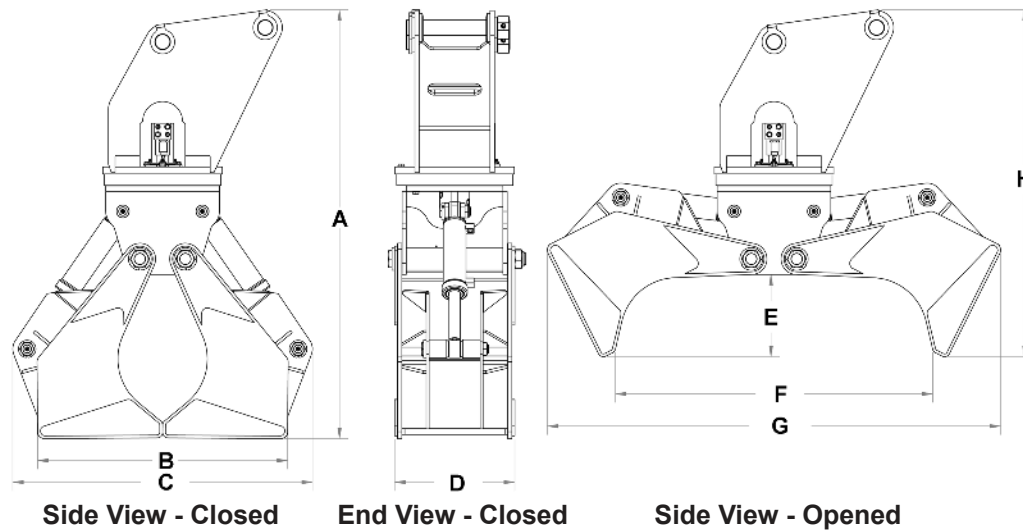


If you're looking for the toughest, most durable grapple on the market, look no further...make it a **Builtrite**.



Trash Handling / Tamping Grapple Specifications

Model	*Weight		Height Closed (A)		Tamping Width (B)		Overall Width Closed (C)		End Width (D)		Open Grappling Height (E)		Grapple Opening (F)		Overall Width Open (G)		Height Open (H)	
	Lbs.	Kg.	in.	mm	in.	mm	in.	mm	in.	mm	in.	mm	in.	mm	in.	mm	in.	mm
THT 20T	2,100	955	75	1,905	44	1,118	52.75	1,340	21	533	15	381	56	1,422	80	2,032	61	1,549



Hydraulic Requirements		
	Flow GPM / LPM	Pressure PSI / Bar
Open / Close	20 / 76	2-3,000 / 138-207
Rotation	6 / 23	1,800 / 124



NOTE: Builtrite Manufacturing reserves the right to change specifications and prices without notice in order to follow its policy of constantly striving to manufacture a better product without incurring any liability to provide these new features on any units previously manufactured.

Builrite Manufacturing, Inc.

530 Recycle Center Drive, Two Harbors, Minnesota, U.S.A. 55616

Web: www.builritehandlers.com E-Mail: info@builritehandlers.com Phone: 218-834-5555 Fax: 218-834-5556

