



DB 560T

MIXER



ENGINE	TIER 4F EPA
Model:	KOHLER series KDI 3404 TCRSCR
Type:	Turbo Intercooler
Displacement, No. cylinders:	3,400cc - 4 inline
Injection:	Electronic Control w/ Common Rail
Aftertreatment system:	EGR + DOC + SCR
Cooling:	Air Water, Dry Air Filter
Maximum Power:	122 hp (90 kW)
Adj. Power:	122 hp (90 kW) @ 2,200 rpm
Maximum Torque:	369 lbf.ft (500 Nm) @ 1,400 rpm
Alternator:	12 V - 90 A

4 X 4 DRIVE

Hydrostatic "automotive" transmission with variable displacement pump and variable displacement hydraulic motor with electro-hydraulic control, and reverse gear control on the steering wheel. Electro-hydraulically controlled mechanical gearbox for "working speed" and "road transfer" speed.

Speed:

	4 fwd gears,	2 reverse gears
I°	0 - 2.3 mph	0 - 2.3 mph
II°	0 - 5.9 mph	0 - 2.3 mph
III°	0 - 7.3 mph	0 - 7.3 mph
IV°	0 - 18.6 mph	0 - 7.3 mph

Traction / weight ratio: 44%

AXLES AND WHEELS

Front load-bearing, oscillating ($\pm 6^\circ$) with planetary reduction gears on the wheel hubs. Rear load-bearing and steering with planetary reduction gears on the wheel hubs and directly flanged gearbox.

Tires: 18 - 19.5 14PR

ELECTRIC SYSTEM

Battery:

Tier 4F 12 V - 132 Ah
LED road light system, rear working lights.

EQUIPMENT HYDRAULIC SYSTEM

Gear Pump:

Max. low rate: 11.89 gal/min
Max. pressure: 180 bar
1-element water pump distributor.

Electro-hydraulic chute distributor with control on the ground.

Aluminium heat exchanger for hydraulic oil cooling.

Pressurized closed-circuit intake with oil filter replaceable from the outside.

CAB

Closed cab with heating system designed according to ROPS & FOPS Level II criteria, windows on three sides. Optional cab doors.

Sliding window on cabin door.

Anatomic seat with flexible suspension and height adjustment, seat belts.

Driving and equipment controls with ergonomic arrangement. LCD display with reverse camera.

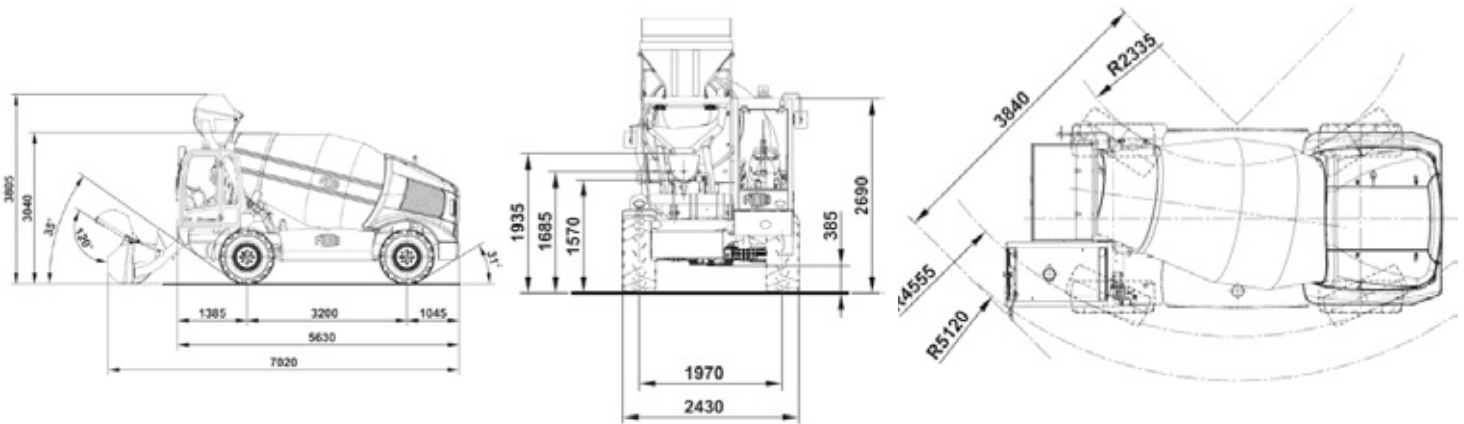
STEERING

Assisted by means of load-sensing power steering with double displacement on 4 steering wheels; steering selection device for: 2 steering wheels, 4 steering wheels - crab steering.



DB 560T

MIXER



WATER SYSTEM

Self-priming volumetric water pump with quick-suction
 Max. capacity: 66 gal/min
 Max. head: 4 bar

One sheet tank on the engine side.
 Max. capacity: 90 gal

Mix control system for programmable and controlled management of water feeding to the drum and of mixing and unloading from the ground panel. Water feeding to the drum controlled by means of electromagnetic flow meter and fed liter reading on both the cabin display and at the rear of the machine. Water pump activation from the driver's seat and from the ground panel. Suction selection from the ground with quick-coupling pipes.

LOADER

Loading device with grab bucket and lifting arms controlled by double-acting hydraulic cylinders. Electro-hydraulically operated trap door.
 Volumetric capacity: 180 gal
 No. loaders-full per load: approx. 10

WEIGHTS

Operating weight: 13,227 lb
 Max. gross weight: 40,785 lb
 Load-carrying capacity: 27,557 lb

MIXING AND UNLOADING

Double-cone drum with double-spiral mixing screws.

Geometrical drum volume: 1,968 gal
 Drum rotation speed: 16 rpm
 Class S1 concrete produced as: 7.19 cu yd

Drum rotation by means of a piston pump with variable flow rate and an orbital hydraulic motor in closed circuit with infinitesimal electrical control positioned in the cabin and at the rear of the machine. Unloading chute with hydraulic tilting by means of a double-acting jack and 180° rotation. Removable chute, for direct unloading from hopper.

3 chute extension provided as standard equipment. Access ladder for drum cleaning.

BRAKES

Internal oil-bath disc service and emergency brakes acting on the 4 wheels, activation with pump on independent dual circuit.
 Negative-type parking brake with internal oil-bath discs on the rear axle and electro-hydraulically controlled release.

SERVICE REFILL CAPACITIES

Fuel tank: 25.0 gal
 Total hydraulic system capacity: 33.0 gal
 Engine oil: 14.56 lb