

# SPECIFICATIONS

## HX300AL

Powered By Cummins Performance Series Engine

**Net Power**  
190 kW (255 HP)  
at 2,200 rpm

**Standard Bucket**  
1.27 m<sup>3</sup>(1.66 yd<sup>3</sup>)

**Operating Weight**  
31,820 (70,151) -  
33,140 (73,061)



### ENGINE

Maker / Model	Cummins B6.7
Type	Tier 4F/ Stage V Emission Certified, 6 cylinder diesel engine with No Manual Regeneration.
Gross Power	260 HP (194 kW) at 2,200 rpm
Net Power	255 HP (190 kW) at 2,200 rpm
Max. Power	282 HP (210 kW) at 1,800 rpm
Peak Torque	996 lb-ft (1,350 N-m) at 1,300 rpm
Displacement	6.7 l (408 cu in)

### HYDRAULIC SYSTEM

#### MAIN PUMP

Type	Variable displacement tandem axis piston pumps
Max. Flow	2 x 285 l/min (75.3 U.S. gpm)
Sub-Pump for Pilot Circuit	Gear pump
Cross-sensing and fuel saving pump system.	

#### AUXILIARY PRESSURE

2 Way	Flow (l/min)	26.4 gpm / (100 lpm)
	Pressure (bar)	2,611 psi / (180 bar)
Rotating	Flow (l/min)	15.9 gpm / (60 lpm)
	Pressure (bar)	4,062 psi / (280 bar)

#### HYDRAULIC MOTORS

Travel	Variable displacement axial piston motor
Swing	Axial piston motor

#### RELIEF VALVE SETTING

Implement Circuits	350 kgf/cm <sup>2</sup> (4,980 psi)
Travel	350 kgf/cm <sup>2</sup> (4,980 psi)
Power Boost (Boom, Arm, Bucket)	380 kgf/cm <sup>2</sup> (5,400 psi)
Swing Circuit	300 kgf/cm <sup>2</sup> (4,270 psi)
Pilot Circuit	40 kgf/cm <sup>2</sup> (570 psi)
Service Valve	Installed

#### HYDRAULIC CYLINDERS

No. of Cylinder Bore X Stroke	Boom : Ø140 × 1,465 mm
	Arm : Ø150 × 1,765 mm
	Bucket : Ø135 × 1,185 mm

### DRIVES & BRAKES

Drive Method	Fully hydrostatic type
Drive Motor	Axial piston motor, in-shoe design
Reduction System	Planetary reduction gear
Max. Drawbar Pull	27,405 kgf (60,417 lbf)
Max. Travel Speed (High / Low)	6.1 km/hr (3.8 mph) / 3.4 km/hr (2.1 mph)
Gradeability	35° (70%)
Parking Brake	Multi wet disc

### CONTROL

Pilot pressure operated joysticks and pedals with detachable lever provide almost effortless and fatigueless operation.	
Pilot Control	Two joysticks with one safety lever (LH) : Swing and arm, Boom and bucket
Traveling and Steering	Two levers with pedals
Engine Throttle	Electric, dial type

### OPERATING WEIGHT (APPROXIMATE)

Operating weight, including 6,250 mm(20' 6") boom, 3,050 mm(10' 0") arm, SAE heaped 1.27 m<sup>3</sup>(1.66 yd<sup>3</sup>) bucket, lubricant, coolant, full fuel tank, full hydraulic tank, 12,346 lb (5,600 kg) counterweight, and all standard equipments.

#### OPERATING WEIGHT

Shoes		Operating Weight		Ground Pressure
Type	Width mm (in)	kg (lb)		kgf/cm <sup>2</sup> (psi)
Triple Grouser	600 (24")	HX300AL	31,820 (70,151)	0.59 (8.35)
	700 (28")	HX300AL	32,380 (71,386)	0.51 (7.29)
	800 (32")	HX300AL	32,750 (72,200)	0.45 (6.46)
	900 (36")	HX300AL	33,140 (73,061)	0.41 (5.85)

### SWING SYSTEM

Swing Motor	Fixed Displacement Axial Piston Motor
Swing Reduction	Planetary Gear Reduction
Swing Bearing Lubrication	Grease-Bathed
Swing Brake	Multi Wet Disc
Swing Speed	11.2 rpm

### COOLANT & LUBRICANT CAPACITY

	LITER	US gal
Fuel Tank	500	132.1
Engine Coolant	42	11.1
Engine Oil	24.4	6.4
Swing Device	11	2.9
Final Drive (Each)	7.8	2.06
Hydraulic System (Including Tank)	330	87.2
Hydraulic Tank	190	50.2
DEF/AdBlue®	70	18.5

### UNDERCARRIAGE

The X-leg type center frame is integrally welded with reinforced box-section track frames. The undercarriage includes lubricated rollers, idlers, track adjusters with shock absorbing springs and sprockets, and a track chain with double or triple grouser shoes.

Center Frame	X - Leg Type
Track Frame	Pentagonal Box Type
No. of Shoes on Each Side	48 EA
No. of Carrier Roller on Each Side	2 EA
No. of Track Roller on Each Side	9 EA
No. of Rail Guard on Each Side	2 EA

### CAB NOISE LEVEL

Guaranteed noise level presented below can be differed depending on a range of factors such as operating condition, speed of a cooling fan, types of engine and so forth. Hearing protection shall be necessary if an operator is working in the improperly aintained cabin or exposed to a noisy environment by leaving doors and/or windows open. With cooling fan speed at maximum value:

Operator sound pressure level (ISO 6396:2008)	70 dB(A)
Exterior sound power level (ISO 6395:2008)	98 dB(A)

\* Distance of 15 m (49.2 ft), moving forward in second gear ratio

# SPECIFICATIONS HX300AL

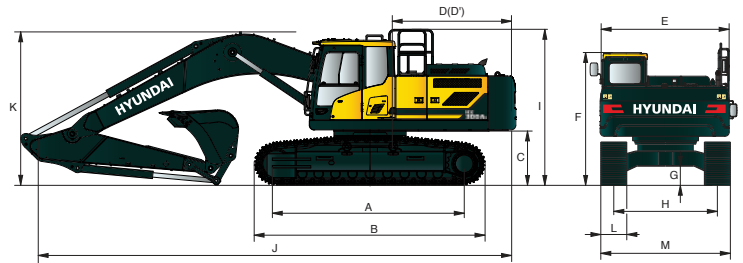
Powered By Cummins Performance Series Engine

## HX300AL DIMENSIONS

Unit: mm (ft-in)

6.25 m (20' 6") BOOM and 2.1 m (6' 11"), 2.5 m (8' 2"), 3.05 m (10' 0"), 3.75 m (12' 4") ARM

A	Tumbler Distance	4,030 (13' 3")
B	Overall Length of Crawler	4,940 (16' 2")
C	Ground Clearance of Counterweight	1,185 (3' 9")
D	Tail Swing Radius	3,210 (10' 5")
D'	Rear-End Length	3,120 (10' 3")
E	Overall Width of Upperstructure	2,980 (9' 9")
F	Overall Height of Cab	3,130 (10' 3")
G	Min. Ground Clearance	500 (1' 8")
H	Track Gauge	2,600 (8' 6")
I	Overall Height of Guardrail	3,335 (10' 11")

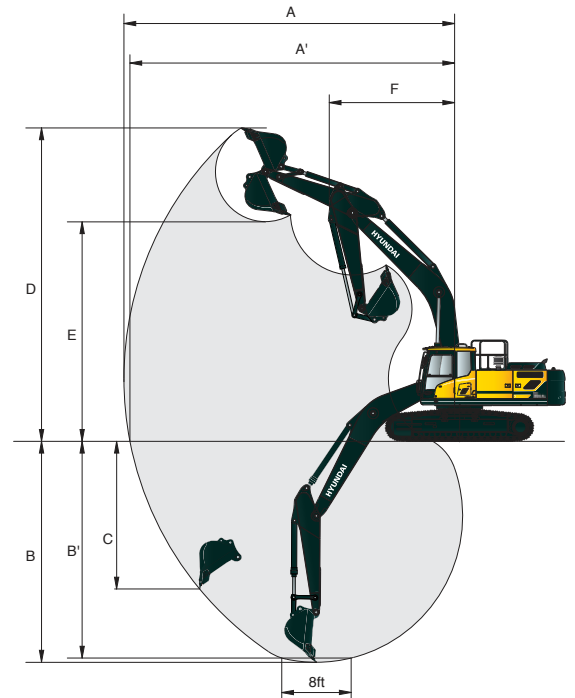


Boom length	5,680 (18' 8")			
Arm length	2,100 (6' 11")	2,500 (8' 2")	3,050 (10' 0")	3,750 (12' 4")
J Overall length	10,750 (35' 3")	10,700 (35' 1")	10,600 (34' 9")	10,670 (35' 0")
K Overall height of boom	3,720 (12' 2")	3,560 (11' 8")	3,320 (10' 11")	3,570 (11' 9")
L Track shoe width	600 (1' 12")	700 (2' 4")	800 (2' 7")	900 (2' 11")
M Overall Width (w/Foot Board)	3,200 (10' 6")	3,300 (10' 10")	3,400 (11' 1")	3,500 (11' 5")

## HX300AL WORKING RANGE

Unit : mm (ft-in)

Boom length	6,250 (20' 6")			
Arm length	2,100 (6' 11")	2,500 (8' 2")	3,050 (10' 0")	3,750 (12' 4")
A Max. digging reach	10,040 (32' 11")	10,310 (33' 10")	10,810 (35' 6")	11,420 (37' 6")
A' Max. digging reach on ground	9,820 (32' 3")	10,100 (33' 2")	10,610 (34' 10")	11,230 (36' 10")
B Max. digging depth	6,380 (20' 11")	6,780 (22' 3")	7,330 (24' 1")	8,030 (25' 4")
B' Max. digging depth (8' level)	6,180 (20' 3")	6,600 (21' 8")	7,170 (23' 6")	7,890 (25' 11")
C Max. vertical wall digging depth	5,910 (19' 5")	5,760 (18' 11")	6,280 (20' 7")	6,990 (22' 11")
D Max. digging height	10,130 (33' 3")	9,980 (32' 9")	10,200 (33' 6")	10,410 (34' 2")
E Max. dumping height	6,990 (22' 11")	6,930 (22' 9")	7,150 (23' 5")	7,360 (24' 2")
F Min. swing radius	4,420 (14' 6")	4,320 (14' 2")	4,270 (14' 0")	4,220 (13' 10")



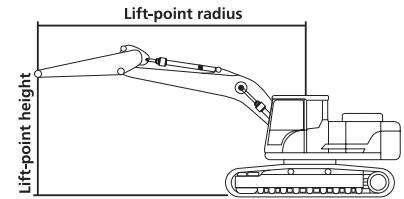
## HX300AL DIGGING FORCE

Boom	Length	mm (ft-in)	6,250 (20' 6")				10,200 (33' 6")	[ ] : Power Boost
	Weight	kg (lb)	2,780 (6,130)				3,530 (7,780)	
Arm	Length	mm (ft-in)	2,100 (6' 11")	2,500 (8' 2")	3,050 (10' 0")	3,750 (12' 4")	7,850 (25' 9")	[ ] : Power Boost
	Weight	kg (lb)	1,345 (2,970)	1,430 (3,150)	1,545 (3,410)	1,675 (3,690)	1,685 (3,710)	
Bucket Digging Force	SAE	kN	164.8 [179.8]	165.7 [180.8]	165.7 [180.8]	166.7 [181.9]	70.6	[ ] : Power Boost
		kgf	16,800 [18,330]	16,900 [18,440]	16,900 [18,440]	17,000 [18,550]	7,200	
		lbf	37,040 [40,410]	37,260 [40,650]	37,260 [40,650]	37,480 [40,900]	15,870	
	ISO	kN	191.2 [208.6]	191.2 [208.6]	192.2 [209.7]	192.2 [209.7]	82.4	
		kgf	19,500 [21,270]	19,500 [21,270]	19,600 [21,380]	19,600 [21,380]	8,400	
		lbf	42,990 [46,890]	42,990 [46,890]	43,210 [47,130]	43,210 [47,130]	18,520	
Arm Crowd Force	SAE	kN	180.4 [196.8]	155.9 [170.1]	131.4 [143.4]	114.7 [125.1]	47.1	[ ] : Power Boost
		kgf	18,400 [20,070]	15,900 [17,350]	13,400 [14,620]	11,700 [12,780]	4,800	
		lbf	40,570 [44,250]	35,050 [38,250]	29,540 [32,230]	25,790 [28,130]	10,580	
	ISO	kN	190.3 [207.5]	163.8 [178.7]	136.3 [148.7]	119.6 [130.5]	48.1	
		kgf	19,400 [21,160]	16,700 [18,220]	13,900 [15,160]	12,200 [13,310]	4,900	
		lbf	42,770 [46,650]	36,820 [40,170]	30,640 [33,420]	26,900 [29,340]	10,800	

Note : Boom weight includes arm cylinder, piping, and pin  
Arm weight includes bucket cylinder, linkage, and pin

# SPECIFICATIONS HX300A L

Powered By Cummins Performance Series Engine



## Lifting Capacity

Boom: 6,250 mm (20' 5")

Arm: 3,050 mm (10')

Bucket: 1.27 m<sup>3</sup> (1.66 yd<sup>3</sup>) SAE heaped

Shoe 800 mm (31") triple grouser, CWT 5,600 kg (12,346 lb)

Capacities based on North American Standard Configuration in accordance with ISO condition 2 standard.

Rating over front

Rating over side or 360 degree

Lift-point height m (ft)		Lift-point radius												At max. reach		
		1.5 m (4.9 ft)		3.0 m (9.8 ft)		4.5 m (14.8 ft)		6.0 m (19.7 ft)		7.5 m (24.6 ft)		9.0 m (29.5 ft)		Capacity		Reach m (ft)
7.5 m	kg							*6830	*6830	*6830	*6830			*5610	*5610	7.74
24.6 ft	lb							*15060	*15060	*15060	*15060			*12370	*12370	(25.4)
6.0 m	kg							*7900	7580	*7900	7580			*5430	*5430	8.62
19.7 ft	lb							*17420	16710	*17420	16710			*11970	*11970	(28.3)
4.5 m	kg		*12020	*12020	*9700	*9700	*8550	7370	*8550	7370	*6670	5510	*5450	5340	9.17	
14.8 ft	lb		*26500	*26500	*21380	*21380	*18850	16250	*18850	16250	*14700	12150	*12020	11770	(30.1)	
3.0 m	kg		*15600	14970	*11400	9830	*9430	7110	*9430	7110	7970	5400	*5650	5000	9.44	
9.8 ft	lb		*34390	33000	*25130	21670	*20790	15670	*20790	15670	17570	11900	*12460	11020	(31.0)	
1.5 m	kg		*17450	14110	*12910	9380	*10290	6860	*10290	6860	7840	5280	*6050	4890	9.47	
4.9 ft	lb		*38470	31110	*28460	20680	*22690	15120	*22690	15120	17280	11640	*13340	10780	(31.1)	
Ground Line	kg		*17260	13760	*13850	9090	10090	6680	10090	6680	7750	5190	*6720	5000	9.25	
	lb		*38050	30340	*30530	20040	22240	14730	22240	14730	17090	11440	*14820	11020	(30.4)	
-1.5 m	kg	*10800	*10800	*18990	13700	14000	8970	10000	6600	10000	6600		*7860	5360	8.77	
-4.9 ft	lb	*23810	*23810	*41870	30200	30860	19780	22050	14550	22050	14550		*17330	11820	(28.8)	
-3.0 m	kg	*17470	*17470	*17780	13820	*13420	9010	10050	6640	10050	6640		9230	6140	7.98	
-9.8 ft	lb	*38510	*38510	*39200	30470	*29590	19860	22160	14640	22160	14640		20350	13540	(26.2)	
-4.5 m	kg	*20720	*20720	*15280	14130	*11480	9230						*9660	7880	6.76	
-14.8 ft	lb	*45680	*45680	*33690	31150	*25310	20350						*21300	17370	(22.2)	

### NOTES:

- Lifting capacities are based on ISO 10567.
- Lifting capacity of the HX Series does not exceed 75% of tipping load with the machine on firm, level ground or 87% of full hydraulic capacity.
- The Lift-point is bucket pivot mounting pin on the arm (without bucket mass).
- (\*) indicates load limited by hydraulic capacity.



HYDRAULIC SYSTEM		STD	OPT
Intelligent Power Control (IPC) <sup>Upgrade</sup>			
3-Power Mode, 2-Work Mode, User Mode	●		
Variable Power Control	●		
Pump Flow Control	●		
Attachment Mode Flow Control			●
Engine Auto Idle	●		
Engine Auto Shutdown Control	●		
Electronic Fan Control	●		
CAB & INTERIOR		STD	OPT
ISO Standard Cabin			
Rise-Up Type Windshield Wiper	●		
Radio / USB Player	●		
Handsfree Mobile Phone System with USB	●		
12 V Power Outlet (24 V DC to 12 V DC Converter)	●		
Electric Horn	●		
All-Weather Steel Cab with 360° Visibility	●		
Safety glass - Tempered glass	●		
Safety glass - Tempered glass with front laminated glass			●
Sliding Fold-In Front Window	●		
Sliding Side Window (LH)	●		
Lockable Door	●		
Hot & Cool Box	●		
Storage Compartment & Ashtray	●		
Transparent Cabin Roof-Cover	●		
Sun Visor	●		
Door and Cab Locks, One Key	●		
Mechanical Suspension Seat With Heater	●		
Pilot-Operated Slidable Joystick	●		
Console Box Height Adjust System	●		
Automatic Climate Control			
Air Conditioner & Heater	●		
Defroster	●		
Starting Aid (Air Grid Heater) for Cold Weather	●		
Centralized Monitoring			
8" LCD Display	●		
Engine Speed or Trip Meter / Accel	●		
Engine Coolant Temperature Gauge	●		
Max Power	●		
Low Speed / High Speed	●		
Auto Idle	●		
Overload warning with alarm			●
Check Engine	●		
Air Cleaner Clogging	●		
Indicators	●		
Eco Gauges	●		
Fuel Level Gauge	●		
Hyd. Oil Temperature Gauge	●		
Fuel Warmer	●		
Warnings	●		
Communication Error	●		
Low Battery	●		
Clock	●		
Cabin Lights			●
Cabin Front Window Rain Guard			●
Cabin Roof-Steel Cover			●
Seat			
Mechanical Suspension without Heater	●		
Mechanical Suspension with Heater			●
Adjustable Air Suspension without Heater			●
Adjustable Air Suspension with Heater			●
Cabin FOG (ISO 1,0262) Level 2			
FOG (Falling Object Guard)	Front & Tops Guard		●
	Top Guard		●
Cabin ROPS (ISO 1,2117-2)			
ROPS (Roll Over Protective Structures)			●

SAFETY		STD	OPT
Battery Master Switch	●		
Rearview Camera			●
AAVM (Advanced Around View Monitoring)			●
Six Front Working Lights (4 Boom Mounted, 2 Front Frame Mounted)	●		
Travel Alarm			●
Rear Work Lamp			●
Beacon Lamp			●
Automatic Swing Brake	●		
Boom Holding System	●		
Arm Holding System	●		
Safety Lock Valve for Boom Cylinder with Overload Warning Device			●
Safety Lock Valve for Arm Cylinder			●
Swing Lock System			●
Two Outside Rearview Mirror	●		
OTHER		STD	OPT
Booms			
6.25 m, 20' 6"	●		
10.2 m, 33' 6" Long Reach			●
6.25 m, 20' 6" 2-Piece			●
Arms			
2.1 m, 6' 11"			●
2.5 m, 8' 2"			●
2.85 m, 9' 4"			●
3.05 m, 10' 0"	●		
3.75 m, 12' 4"			●
7.85 m, 25' 9" Long Reach			●
Removable Clean-Out Dust Net for Cooler	●		
Removable Washer Tank	●		
Fuel Pre-Filter	●		
Fuel Warmer		Single	●
		Dual	●
Self-Diagnostics System	●		
Hi MATE (Remote Management System)			●
Batteries (2 × 12 V × 150 AH)	●		
Fuel Filler Pump (50 l/min)			●
Single-Acting Piping Kit (Breaker, etc.)			●
Double-Acting Piping Kit (Clamshell, etc.)			●
Rotating Piping Kit			●
Quick Coupler Piping			●
Quick Coupler			●
Boom Floating Control			●
One Pedal Straight Travel System			●
Accumulator for Lowering Work Equipment	●		
Pattern Change Valve (2 PAtterns, 4 PAtterns)			
Tool Kit			●
UNDERCARRIAGE		STD	OPT
Lower Frame Under Cover (Additional)			●
Lower Frame Under Cover (Normal)	●		
Track Shoes			
Triple Grousers Shoes (600 mm, 24")	●		
Triple Grousers Shoe (700 mm, 28")			●
Triple Grousers Shoe (800 mm, 32")	●		
Triple Grousers Shoe (900 mm, 36")			●
Double Grousers Shoe (700 mm, 28") (HW)			●
Track Rail Guard	●		
Full Track Rail Guard			●
SWING BEARING		STD	OPT
Swing Bearing	●		
Swing Bearing (HW)			●

\* Standard and optional equipment may vary. Contact your Hyundai dealer for more information. The machine may vary according to International standards.

\* The photos may include attachments and optional equipment that are not available in your area.

\* Materials and specifications are subject to change without advance notice.

\* All imperial measurements rounded off to the nearest pound or inch.

PLEASE CONTACT



www.hceamericas.com  
6100 Atlantic Blvd., Norcross, GA 30071  
TEL (678) 823-7777 FAX (678) 823-7778