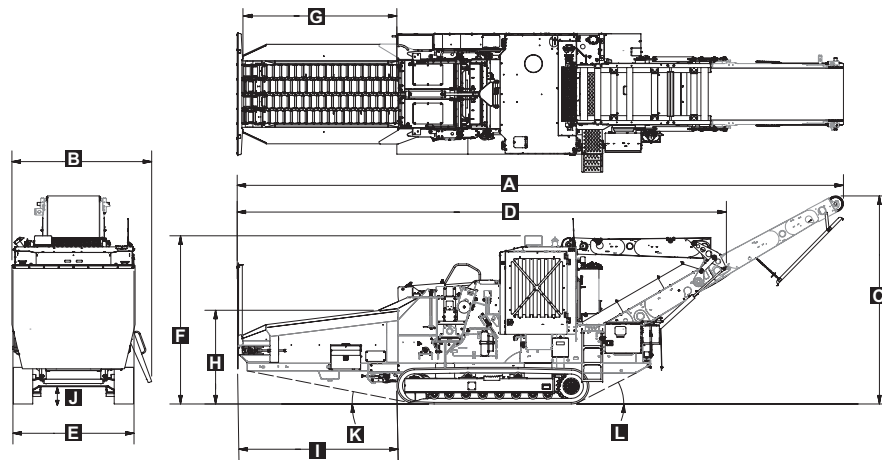


1710D

Peterson Horizontal Grinder



DIMENSIONS

| | Folding Conveyor | Compact Conveyor |
|----------------------------------|------------------|------------------|
| A Operating Length* | 41' 1" (1250 cm) | 33' 1" (1008 cm) |
| B Operating Width | | 9' 6" (288 cm) |
| C Operating Height | 14' 1" (429 cm) | 11' 5" (348 cm) |
| D Travel Length* | | 33' 1" (1009 cm) |
| E Travel Width | | 8' 2" (250 cm) |
| F Travel Height | | 11' 5" (348 cm) |
| G Hopper Length | | 10' 9" (328 cm) |
| H Hopper Height | | 6' 4" (193 cm) |
| I Front to Track Length | | 10' 9" (328 cm) |
| J Ground Clearance | | 14" (36 cm) |
| K Front Angle of Approach | | 11° |
| L Rear Angle of Approach | | 27° |

ESTIMATED WEIGHTS

| | |
|----------------|------------------------|
| Machine Weight | 46,500 lbs (21 092 kg) |
|----------------|------------------------|

POWERTRAIN

| | |
|----------------------------------|--|
| Engine | Caterpillar C9.3B Tier IV, 455 hp (EU Stage V, 339 kW) |
| export only | Caterpillar C9.3B Tier III, 415 hp (309 kW) |
| Clutch | PT Tech SCT 2500 |
| Fuel Tank Capacity | 146 US gal (553 L) |
| Main Hydraulic Tank Capacity | 72 US gal (272 L) |
| DEF Tank Capacity (Tier IV Only) | 17 US gal (65 L) |

TRACKS

| | |
|----------------------|---|
| Track Type and Width | triple grouser, 15.75" (40 cm) |
| Travel Speed | 0.7/1.3 mph (1.1/2.1 kph) |
| Ground Pressure | 11.5 lbs/in ² (0.81 kg/cm ²) |

SYSTEM CONTROLS

| |
|----------------------------------|
| Peterson Adaptive Control System |
| Radio Remote |
| Peterson+ Analytics |

FEED SYSTEM

| | |
|--|---|
| Hopper Capacity | 3.2 yd ³ (2.5 m ³) |
| Feed Chain | 4 sections, full hopper width |
| Feed Conveyor Width | 4' 6" (137 cm) |
| Feed Opening (width x height) | 54" x 27" (137 x 69 cm) |
| Land Clearing Mode | 54" x 41.5" (137 x 105 cm) |
| Compression Roll diameter (tip to tip) | 24" (61 cm) |

ROTOR

| | |
|---------------------------|---|
| Rotor Speed | 10,000 fpm (3050 mpm) @ 2200 rpm (engine) |
| Drum Rotor Shaft Size | 4.33" (110 mm) @ bearing, 4.75" (120 mm) @ center |
| Rotor Width | 55.5" (141 cm) |
| Rotor Diameter | 26.5" (67 cm) |
| Bit Size (width x height) | 2.5" x 4.5" (63 x 114 mm) |
| Number of Bits | 22 drum rotor, 20 pinned rotor |

GRATES

| | |
|--------------------------|--|
| Number of Grate Sections | 3 |
| Total Grate Area | 15.6 ft ² (1.5 m ²) |
| Grate Coverage | 174° |
| Grate Thickness | 3/4" (19 mm) |

DISCHARGE SYSTEM

| | |
|-----------------------------------|---------------------------------|
| Discharge Conveyor Width | 3' 6" (107 cm) |
| Compact Discharge Conveyor Height | 9' 7" (292 cm) |
| Folding Discharge Conveyor Height | 14' 1" (429 cm) |
| Conveyor Speed | 500 or 600 fpm (152 or 183 mpm) |

PRODUCTION* PER HOUR

| Engine | Greenwaste | Scrap Board |
|--------|---|---|
| C9.3B | 140 yd ³ (107 m ³) | 185 yd ³ (141 m ³) |
| | 39 US tons (35 tonnes) | 30 tons (27 tonnes) |

*Actual output may vary due to moisture content, material density and size, support equipment, and grate size. Production rates are based on operating 50 minutes per hour.

OPTIONAL EQUIPMENT

| | |
|-------------------------|------------------|
| Liquid Injection System | Cold Weather Kit |
| Feed Tailgate | Flat Feed Deck |
| Magnetic Head Pulley | LED Work Lights |
| Crossbelt Magnet | CE Certification |
| Export Kit | Dust Control |



1725 Shepherd Road • Chattanooga, TN 37421 USA • www.astecindustries.com

Specifications vary based on optional equipment and machine configuration and are subject to change without notice. Measurements are rounded to the nearest whole increment.



CMS20210505