

IC110R-CRAWLER CARRIER



PAYLOAD

24,250 LBS

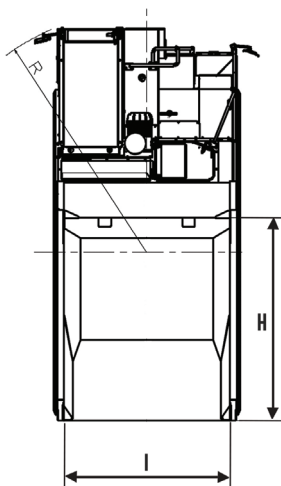
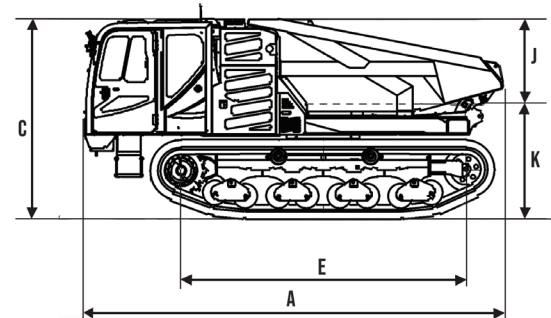
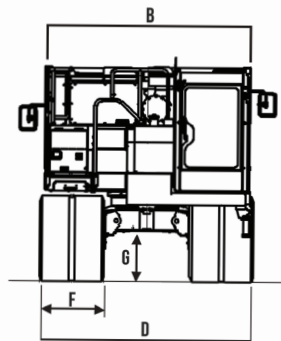
OUTPUT RATING

257 HP

OPERATING WEIGHT

36619 LBS

KATO



IC110R WORKING RANGES

A.	OVERALL LENGTH	18' 4"
B.	OVERALL WIDTH	8' 5"
C.	OVERALL HEIGHT	8' 10"
D.	OVERALL CRAWLER WIDTH	8' 9"
E.	TUMBLER CENTER DISTANCE	12' 6"
F.	CRAWLER TRACK WIDTH	2' 7"
G.	MINIMUM GROUND CLEARANCE	2' 0"
H.	VESSEL LENGTH	9' 6"
I.	INNER VESSEL WIDTH	7' 9"
J.	VESSEL HEIGHT	3' 9"
K.	VESSEL FLOOR HEIGHT FROM GROUND	5' 1"
L.	MAXIMUM HEIGHT IN DUMPING	15' 2"



IC110R

MODEL		IC110R
PERFORMANCE		
TRANSPORT WEIGHT		36,619 LBS
PAYLOAD		24,250 LBS
GROUND PRESSURE (EMPTY/ LOADED)		5.12 PSI/ 8.54 PSI
TRAVEL SPEED (LOW/HIGH)		3.85 MPH / 7.3 MPH
GRADEABILITY		36% (20°)
ENGINE		
MODEL		CUMMINS B6.7
RATED OUTPUT		257 HP
FUEL TANK CAPACITY		84.5 GALLONS
DEF TANK CAPACITY		13 GALLONS
VESSEL		
STYLE		BOAT-SHAPED SCOOP END
CAPACITY		8 YARDS ³
DIMENSIONS LxWxH		9'5" x 7'8" x 3'10"
MAXIMUM DUMP ANGLE		60°



WWW.KATOCES.COM
400 PRODUCTION COURT
ELIZABETHTOWN, KY 42701
(800) 538-1447