

3710E

Horizontal Grinder



Optional Tow Dolly

Powertrain

- Engine:
 - Caterpillar C18 Tier IV 755 hp (563 kW)
 - Caterpillar C18 Tier II 765 hp (570 kW) (export only)
- Clutch PT Tech
- Fuel Tank Capacity: 310 gallons (1,174 L)
- Main hydraulic tank capacity: 98 gallons (371 L)

Tracks

- Track width & ground pressure:
 - 109.84 in (2.79m), 11.03 lb/in² (.78 kg/cm²)
 - 100.39 in (2.55m), 13.14 lb/in² (.92 kg/cm²) (optional)
- Track type: Triple grouser
- Travel speed
 - Low speed: .83 mph [1.34 kph]
 - High Speed: 1.67 mph [2.68 kph]

Feed System

- Hopper Capacity: 6.37 yd³ (4.87 m³)
- Hopper width: 58 in (147 cm)
- Hopper length: 14 ft-3 in (433 cm)
- Feed chain: four sections, full hopper width
- Feed opening: 57.25 x 40 in (145.4 x 102 cm)
- Land clearing mode: 57.25 x 55 in (145.4 x 140 cm)
- Compression roll Diameter (tip to tip): 36 in (91.4 cm)

Rotor

- Rotor shaft size: 7.5 in [19 cm]
- Rotor speed: 782 rpm @ 2,050 engine rpm
- Rotor width: 57.25 in [145.4 cm]
- Rotor diameter: 42 in [106.68 cm]
- Bit size: 3 x 6.5 in [7.6 cm x 16.5 cm]
- Number of bits: 20
- Rotor design: drum rotor

Grates

- Four grate sections
- Total grate area: 4,070 in² [26,258 cm²]
- Grate coverage: 194°
- Grate thickness: 1 in [2.54 cm]

Discharge System

- Discharge conveyor width: 48 in [122 cm]
- Conveyor speed: 500, 600, 700 ft/min [152, 183, 213 m/min]

System Controls

- Peterson adaptive control system
- Radio remote

Production*

- Engine: C18 Tier IV
- Green waste: 365 cubic yards 100/US Tons [279 cubic meters /95 metric tons] per hour
- Scrap board: 430 cubic yards/ 77 US Tons [328 cubic meters/57 metric tons] per hour

**Actual output may vary due to moisture content, material density and size, support equipment and grate size. Production rates are based on operating 50 minutes per hour.*

Optional Equipment

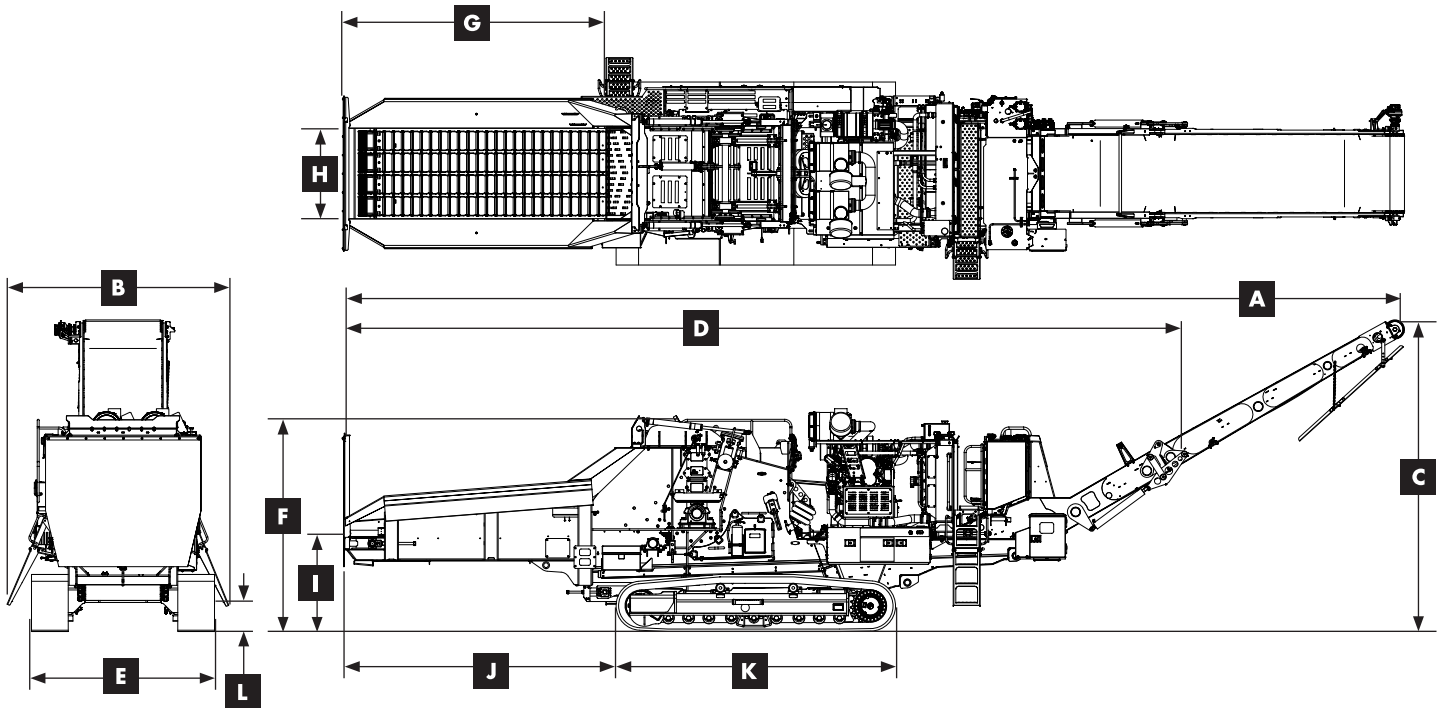
- Magnetic pulley
- Feed chain return pan
- Crossbelt magnet
- Tow dolly

Physical & Operating Characteristics - 3710E

Dimension	Imperial	Metric
A Operating Length	56' 10-3/16"	17,328 mm
B Operating Width	12' 1/16"	3,659 mm
- Optional Tracks	11' 4 3/4"	3,472 mm
C Operating Height	16' 8 1/2"	5,092 mm
D Travel Length	44' 11-1/16"	13,692 mm
E Travel Width	109.84 in	2,789 mm
- Optional Tracks	100.39 in	2,549 mm
F Travel Height	11' 9-3/8"	3,592 mm
G Hopper Length	14' 3 1/4"	4,350 mm
H Feed Conveyor Width	4' 10"	1,473 mm
I Hopper Height	5' 3-3/16"	1,605 mm
J Front to Track Length	15' 7-1/16"	4,447 mm
K Track Length	14' 11 3/4"	4,565 mm
L Ground Clearance	1' 6-11/16"	474 mm
Machine Weight	78,000 lb	35,380 kg
- Optional Tracks	77,000 lb	34,927 kg

Physical & Operating Characteristics - Optional Tow Dolly

Dimension	Imperial	Metric
A Length	16' 5 9/16"	501.81 cm
B Width	8' 6"	259.08 cm
C Front to First Axle	3' 9 1/16"	23.02 cm
D Axle Spacing	5'	152.4 cm
E Ride Height Range - Minimum	6 15/16"	17.60 cm
- Maximum	1' 7 11/16"	50.10 cm
- Transport	1' 2 3/4"	37.5 cm
F Height Range - Minimum	5' 3 1/2"	161.33 cm
- Maximum	6' 9 1/4"	206.43 cm
- Transport	6' 4 5/16"	193.83 cm



Optional Tow Dolly

